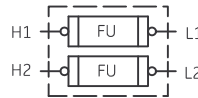


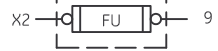
-NOMENCLATURE-

- M-LINE CONTACTOR
- OL-OVERLOAD RELAY
- I-INDICATING LIGHTS
- FU-FUSE
- X-INDICATES CONTACT CLOSED

CONTROL  
CIRCUIT FUSING



EXTRA  
SECONDARY FUSE



USE 75°C COPPER  
CONDUCTORS ONLY, FOR  
FIELD WIRING. TORQUE  
LINE AND LOAD TERMINALS  
AS SHOWN AT RIGHT:

	SIZE 2	LINE	LOAD
CR306	50 LB-IN	50 LB-IN	50 LB-IN
CR307	AS MARKED	50 LB-IN	50 LB-IN
CR308	50 LB-IN	50 LB-IN	50 LB-IN
CR387	AS MARKED	50 LB-IN	50 LB-IN

	SIZE 3	LINE	LOAD
	150 LB-IN	150 LB-IN	150 LB-IN
	AS MARKED	150 LB-IN	150 LB-IN
	50 LB-IN	150 LB-IN	150 LB-IN
	AS MARKED	150 LB-IN	150 LB-IN

	SIZE 4	LINE	LOAD
	200 LB-IN	200 LB-IN	200 LB-IN
	AS MARKED	200 LB-IN	200 LB-IN
	275 LB-IN	200 LB-IN	200 LB-IN
	AS MARKED	200 LB-IN	200 LB-IN

NOTE: ADDITIONAL OVER-CURRENT PROTECTION  
MAY BE REQUIRED. REFER TO THE  
NATIONAL ELECTRICAL CODE OR LOCAL  
ELECTRICAL CODE AS REQUIRED.

FOR 1-PHASE OPERATION USING

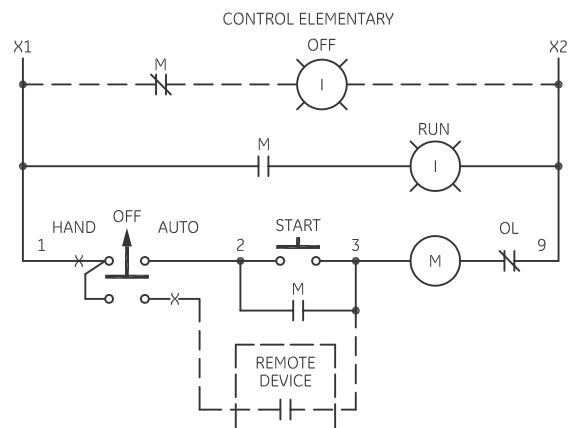
- SOLID STATE OVERLOAD RELAY  
SEE GEH-6430(s2 1,2) OR GEH-6431 (s2 3,4)
- THERMAL OVERLOAD RELAY  
CHANGE CONNECTION WIRE "A" FROM L2 TO L3.  
CONNECT LINE TO L1 AND L3 AND LOAD TO T1 AND T3.

FOR STARTER WITHOUT DISCONNECT MEANS - WIRE  
LINE DIRECT TO L1, L2 AND L3 ON STARTER.

FOR EXTRA AUXILIARY CONTACTS - A MAXIMUM OF 3  
CONTACTS MAY BE ADDED AT POSITIONS  
T,U,X,Y.&Z.

GROUND KIT

1/2-IN CONDUIT	55-213403G001
3/4-IN CONDUIT	55-213403G002
1-IN CONDUIT	55-213403G003
1 1/4-IN CONDUIT	55-213403G004
1 1/2-IN CONDUIT	55-213403G005
2-IN CONDUIT	55-213403G006
2 1/2-IN CONDUIT	55-213403G007
3-IN CONDUIT	55-213403G008



imagination at work

WIRING DIAGRAM  
FVNR 2, 3 & 4

AN #	THIRD ANGLE PROJECTION	SHEET #
09-9111		1 OF 1

DWG NO.	DATE	REV
55-215213	08/10/2009	2