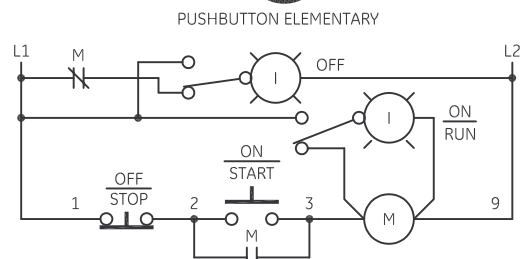
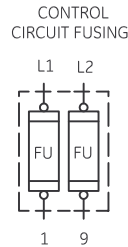
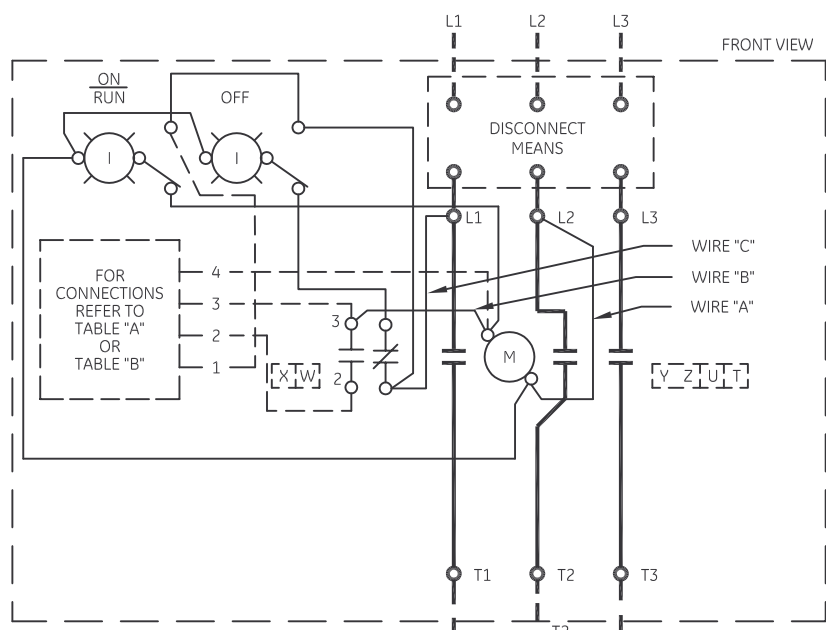


| TABLE A | TABLE B |
|--|--|
| STANDARD PILOT DEVICES ON-OFF START-STOP | OIL-TIGHT PILOT DEVICES ON-OFF START-STOP |
| PUSHBUTTONS OFF ON (OMIT WIRE "B") | PUSHBUTTONS OFF ON (OMIT WIRE "B") |
| 2 POSITION SELECTOR SWITCH HAND — RED — 1 OFF — WHITE — 3 AUTO — BLACK — 4 (OMIT WIRE "B") | 2 POSITION SELECTOR SWITCH HAND — OFF — 1 OFF — AUTO — 3 (OMIT WIRE "B") |
| REMOTE DEVICE 1 — 3 | REMOTE DEVICE 1 — 3 |
| 3 POSITION SELECTOR SWITCH | 3 POSITION SELECTOR SWITCH |



| SIZE 2 | SIZE 3 | SIZE 4 |
|--------------------------------|----------------------------------|----------------------------------|
| LINE 50 LB-IN LOAD 50 LB-IN | LINE 150 LB-IN LOAD 150 LB-IN | LINE 200 LB-IN LOAD 200 LB-IN |
| CR305 AS MARKED | CR307 AS MARKED | CR308 AS MARKED |
| 50 LB-IN | 50 LB-IN | 275 LB-IN |
| 50 LB-IN | 150 LB-IN | 200 LB-IN |
| CR387 AS MARKED | AS MARKED | AS MARKED |

-NOMENCLATURE-
 M-LINE CONTACTOR
 I-INDICATING LIGHT
 FU-FUSE
 X-INDICATES CONTACT CLOSED

USE 75°C COPPER CONDUCTORS ONLY, FOR FIELD WIRING. TORQUE LINE AND LOAD TERMINALS AS SHOWN AT RIGHT:

NOTE: REFER TO THE NATIONAL ELECTRICAL CODE. ADDITIONAL CONTROL CIRCUIT OVER-CURRENT PROTECTION MAY BE REQUIRED.

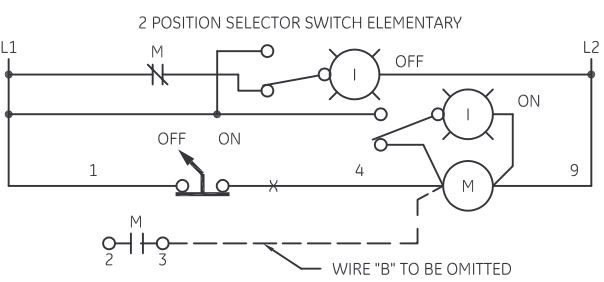
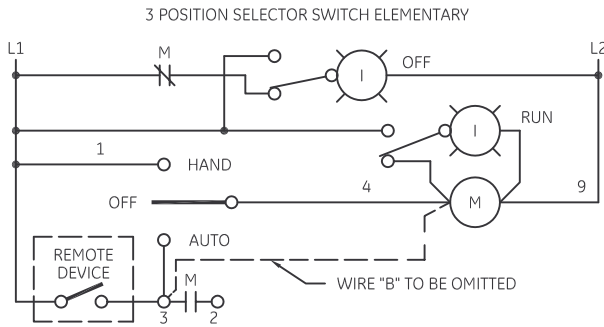
FOR 1-PHASE OPERATION-CHANGE CONNECTION OF WIRE "A" FROM L2 TO L3,CONNECT LINE TO L1 AND L3 AND LOAD TO T1 AND T3.

FOR CONTACTOR WITHOUT DISCONNECT MEANS - WIRE LINE DIRECT TO L1,L2 AND L3 ON CONTACTOR.

FOR EXTRA AUXILIARY CONTACTS- A MAXIMUM OF 4 CONTACTS MAY BE ADDED AT POSITIONS T,U,W,X,Y,& Z.

FOR SEPARATE CONTROL SOURCE- OMIT WIRE "A" AND WIRE "C". CONNECT SEPARATE CONTROL SOURCE TO 9 ON COIL AND TO 1 ON PILOT DEVICE. WIRES "A" AND "C" ARE OMITTED AT FACTORY ON ALL CONTACTORS WITH A COIL VOLTAGE OF 120V OR LESS.

| FOR CSA-GND KIT | |
|------------------|---------------|
| 1/2-IN CONDUIT | 55-213403G001 |
| 3/4-IN CONDUIT | 55-213403G002 |
| 1-IN CONDUIT | 55-213403G003 |
| 1 1/4-IN CONDUIT | 55-213403G004 |
| 1 1/2-IN CONDUIT | 55-213403G005 |
| 2-IN CONDUIT | 55-213403G006 |
| 2 1/2-IN CONDUIT | 55-213403G007 |



WIRING DIAGRAM
 FVNR SIZE 2, 3 & 4

| AN # | THIRD ANGLE PROJECTION | SHEET # | DWG NO. | DATE | REV |
|---------|------------------------|---------|-----------|------------|-----|
| 09-9111 | | 1 OF 1 | 55-215218 | 08/10/2009 | 2 |