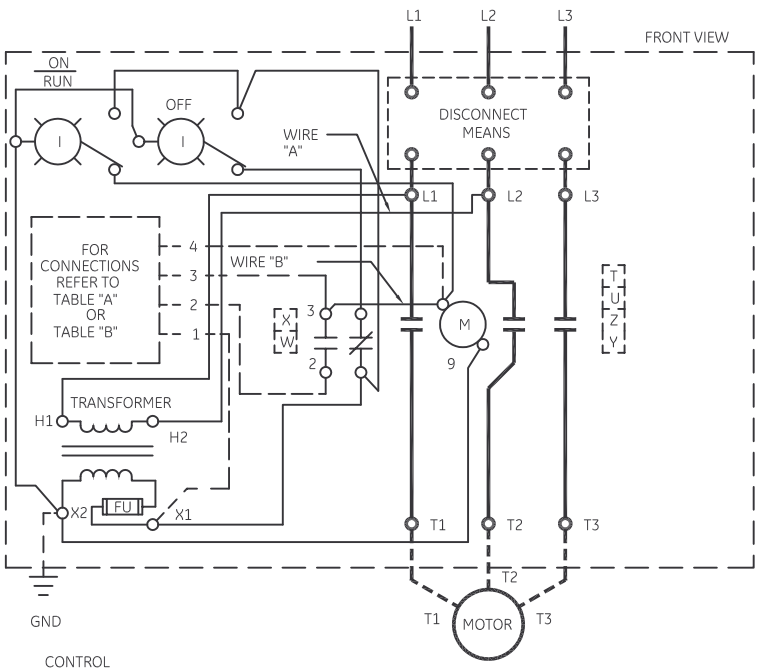


TABLE A	TABLE B
STANDARD PILOT DEVICES ON-OFF START-STOP 	OIL-TIGHT PILOT DEVICES ON-OFF START-STOP
PUSHBUTTONS OFF ON 	PUSHBUTTONS OFF ON
2 POSITION SELECTOR SWITCH HAND OFF AUTO 	2 POSITION SELECTOR SWITCH HAND OFF AUTO
REMOTE DEVICE 	REMOTE DEVICE
3 POSITION SELECTOR SWITCH 	3 POSITION SELECTOR SWITCH

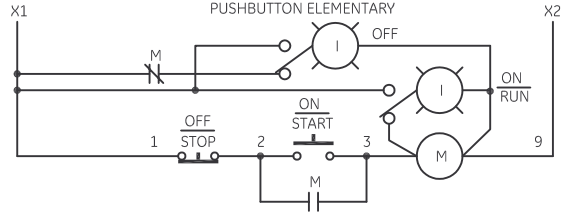
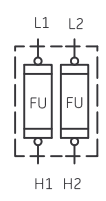
-NOMENCLATURE-
 M-LINE CONTACTOR
 I-INDICATING LIGHTS
 FU-FUSE
 X-INDICATES CONTACT CLOSED

USE 75°C COPPER CONDUCTORS ONLY. FOR FIELD WIRING. TORQUE LINE AND LOAD TERMINALS AS SHOWN AT RIGHT:

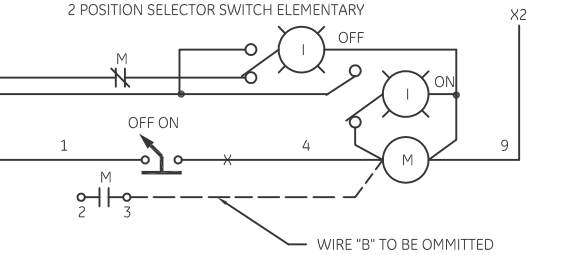
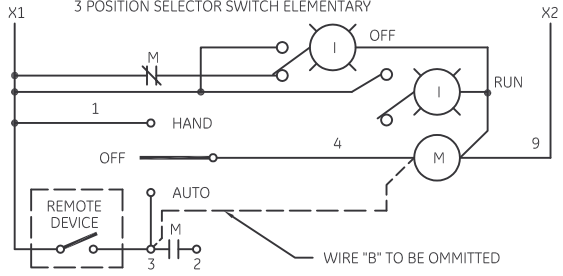
SIZE 2	LINE	LOAD
CR305	50 LB-IN	50 LB-IN
CR307	AS MARKED	50 LB-IN
CR308	50 LB-IN	50 LB-IN
CR387	AS MARKED	50 LB-IN



CONTROL CIRCUIT FUSING



SIZE 3	LINE	LOAD
150 LB-IN	150 LB-IN	150 LB-IN
AS MARKED	150 LB-IN	150 LB-IN
50 LB-IN	150 LB-IN	150 LB-IN
AS MARKED	150 LB-IN	150 LB-IN



NOTE: REFER TO THE NATIONAL ELECTRICAL CODE. ADDITIONAL CONTROL CIRCUIT OVERCURRENT PROTECTION MAY BE REQUIRED.

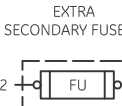
FOR 1-PHASE OPERATION-CHANGE CONNECTION OF WIRE "A" FROM L2 TO L3. CONNECT LINE TO L1 AND L3 AND LOAD TO T1 AND T3.

FOR CONTACTOR WITHOUT DISCONNECT MEANS - WIRE LINE DIRECT TO L1,L2 AND L3 ON CONTACTOR.

FOR EXTRA AUXILIARY CONTACTS- A MAXIMUM OF 4 CONTACTS MAY BE ADDED AT POSITIONS T,U,W,X,Y & Z.

FOR CSA-GND KIT
 1/2-IN CONDUIT
 3/4-IN CONDUIT
 1-IN CONDUIT
 1 1/4-IN CONDUIT
 1 1/2-IN CONDUIT
 2-IN CONDUIT
 2 1/2-IN CONDUIT

55-213403G001
55-213403G002
55-213403G003
55-213403G004
55-213403G005
55-213403G006
55-213403G007



imagination at work

WIRING DIAGRAM
 FVNR SIZE 2, 3 & 4

AN #	THIRD ANGLE PROJECTION	SHEET #
09-9111		1 OF 1

DWG NO.	DATE	REV
55-215220	08/11/2009	1