

-NOMENCLATURE-
M-LINE CONTACTOR
I-INDICATING LIGHT
FU-FUSE
X-INDICATES CONTACT CLOSED

		SIZE 2		SIZE 3		SIZE 4	
		LINE	LOAD	LINE	LOAD	LINE	LOAD
USE 75°C COPPER CONDUCTORS ONLY, FOR FIELD WIRING, TORQUE	CR305	50 LB-IN	50 LB-IN	150 LB-IN	150 LB-IN	200 LB-IN	200 LB-IN
LINE AND LOAD TERMINALS AS SHOWN AT RIGHT:	CR307	AS MARKED	50 LB-IN	AS MARKED	150 LB-IN	AS MARKED	200 LB-IN
	CR308	50 LB-IN	50 LB-IN	50 LB-IN	150 LB-IN	275 LB-IN	200 LB-IN
	CR387	AS MARKED	50 LB-IN	AS MARKED	150 LB-IN	AS MARKED	200 LB-IN

NOTE: REFER TO THE NATIONAL ELECTRICAL CODE. ADDITIONAL CONTROL CIRCUIT OVER-CURRENT PROTECTION MAY BE REQUIRED.

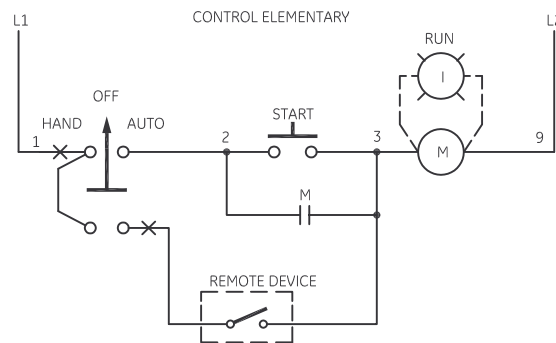
FOR 1-PHASE OPERATION - CHANGE CONNECTION OF WIRE "A" FROM L2 TO L3. CONNECT LINE TO L1 AND L3 AND LOAD TO T1 AND T3.

FOR CONTACTOR WITHOUT DISCONNECT MEANS - WIRE LINE DIRECT TO L1, L2 AND L3 ON CONTACTOR.

FOR EXTRA AUXILIARY CONTACTS- A MAXIMUM OF 5 CONTACTS MAY BE ADDED AT POSITIONS T,U,W,X,Y & Z.

FOR CSA - GND. KIT
1/2 IN. CONDUIT 55-213403G001
3/4 IN. CONDUIT 55-213403G002
1 IN. CONDUIT 55-213403G003
1-1/4 IN. CONDUIT 55-213403G004
1-1/2 IN. CONDUIT 55-213403G005
2 IN. CONDUIT 55-213403G006
2-1/2 IN. CONDUIT 55-213403G007

FOR SEPARATE CONTROL SOURCE- OMIT WIRE "A" AND WIRE "C". CONNECT SEPARATE CONTROL SOURCE TO 9 ON COIL AND TO 1 ON PILOT DEVICE. WIRES "A" AND "C" ARE OMITTED AT FACTORY ON ALL CONTACTORS WITH A COIL VOLTAGE OF 120V OR LESS.



WIRING DIAGRAM
FVNR SIZE 2, 3 & 4

AN #	THIRD ANGLE PROJECTION	SHEET #
09-9111		1 OF 1

DWG NO.	DATE	REV
55-215222	08/11/2009	1