

-NOMENCLATURE-  
M-LINE CONTACTOR  
I-INDICATING LIGHTS  
FU-FUSE  
X-INDICATES CONTACT CLOSED

FOR SEPARATE CONTROL SOURCE- OMIT WIRE "A"  
AND WIRE "C". CONNECT SEPARATE CONTROL  
SOURCE TO 9 ON COIL AND TO 1 ON PILOT  
DEVICE. WIRES "A" AND "C" ARE OMITTED  
AT FACTORY ON ALL CONTACTORS WITH A COIL  
VOLTAGE OF 120V OR LESS.

	SIZE 2		SIZE 3		SIZE 4	
	LINE	LOAD	LINE	LOAD	LINE	LOAD
USE 75°C COPPER CONDUCTORS ONLY, FOR FIELD WIRING, TORQUE LINE AND LOAD TERMINALS AS SHOWN AT RIGHT:	CR305	50 LB-IN 50 LB-IN	150 LB-IN	150 LB-IN	200 LB-IN	200 LB-IN
	CR307	AS MARKED 50 LB-IN	AS MARKED	150 LB-IN	AS MARKED	200 LB-IN
	CR308	50 LB-IN 50 LB-IN	50 LB-IN	150 LB-IN	275 LB-IN	200 LB-IN
	CR387	AS MARKED 50 LB-IN	AS MARKED	150 LB-IN	AS MARKED	200 LB-IN

NOTE: REFER TO THE NATIONAL ELECTRICAL CODE.  
ADDITIONAL CONTROL CIRCUIT OVERCURRENT  
PROTECTION MAY BE REQUIRED.

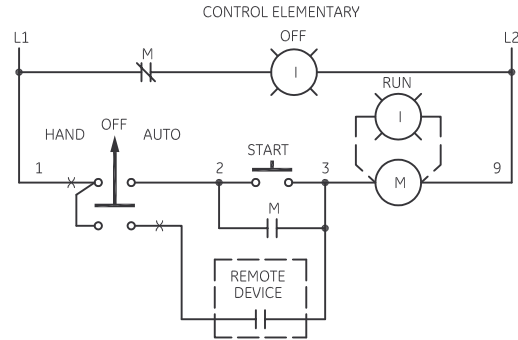
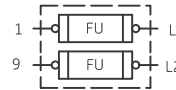
FOR 1-PHASE OPERATION-CHANGE CONNECTION  
OF WIRE "A" FROM L2 TO L3. CONNECT  
LINE TO L1 AND L3 AND LOAD TO T1  
AND T3.

FOR CONTACTOR WITHOUT DISCONNECT MEANS - WIRE  
LINE DIRECT TO L1,L2 AND L3 ON CONTACTOR.

FOR EXTRA AUXILIARY CONTACTS - A MAXIMUM OF 4  
CONTACTS MAY BE ADDED AT POSITIONS  
T,U,W,X,Y,& Z.

FOR CSA-GND KIT	
1/2-IN CONDUIT	55-213403G001
3/4-IN CONDUIT	55-213403G002
1-IN CONDUIT	55-213403G003
1 1/4-IN CONDUIT	55-213403G004
1 1/2-IN CONDUIT	55-213403G005
2-IN CONDUIT	55-213403G006
2 1/2-IN CONDUIT	55-213403G007

CONTROL  
CIRCUIT FUSING



imagination at work

WIRING DIAGRAM  
FVNR SIZE 2, 3 & 4

AN #	THIRD ANGLE PROJECTION	SHEET #
09-9111		1 OF 1

DWG NO.	DATE	REV
55-215223	08/11/2009	1