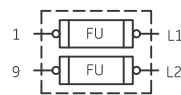


CONTROL
CIRCUIT FUSING



-NOMENCLATURE-
M-LINE CONTACTOR
I-INDICATING LIGHT
FU-FUSE
X-INDICATES CONTACT CLOSED

USE 75°C COPPER
CONDUCTORS ONLY, FOR
FIELD WIRING. TORQUE
LINE AND LOAD TERMINALS
AS SHOWN AT RIGHT:

| | SIZE 2 | SIZE 3 | SIZE 4 |
|-------|-----------|-----------|-----------|
| LINE | 50 LB-IN | 150 LB-IN | 200 LB-IN |
| LOAD | 50 LB-IN | 150 LB-IN | 200 LB-IN |
| CR305 | AS MARKED | AS MARKED | AS MARKED |
| CR307 | 50 LB-IN | 150 LB-IN | 275 LB-IN |
| CR308 | 50 LB-IN | 150 LB-IN | 200 LB-IN |
| CR387 | AS MARKED | AS MARKED | 200 LB-IN |

NOTE: REFER TO THE NATIONAL ELECTRICAL CODE.
ADDITIONAL CONTROL CIRCUIT OVER-CURRENT
PROTECTION MAY BE REQUIRED.

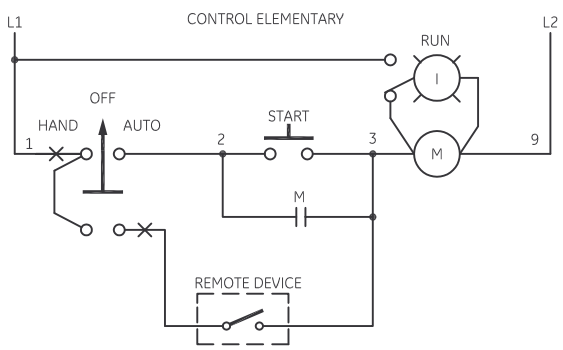
FOR 1-PHASE OPERATION - CHANGE CONNECTION
OF WIRE "A" FROM L2 TO L3. CONNECT
LINE TO L1 AND L3 AND LOAD TO T1 AND T3.

FOR CONTACTOR WITHOUT DISCONNECT MEANS - WIRE
LINE DIRECT TO L1, L2 AND L3 ON CONTACTOR.

FOR EXTRA AUXILIARY CONTACTS- A MAXIMUM OF 5
CONTACTS MAY BE ADDED AT POSITIONS
T,U,W,X,Y & Z.

FOR CSA - GND. KIT
1/2 IN. CONDUIT 55-213403G001
3/4 IN. CONDUIT 55-213403G002
1 IN. CONDUIT 55-213403G003
1-1/4 IN. CONDUIT 55-213403G004
1-1/2 IN. CONDUIT 55-213403G005
2 IN. CONDUIT 55-213403G006
2-1/2 IN. CONDUIT 55-213403G007

FOR SEPARATE CONTROL SOURCE- OMIT WIRE "A"
AND WIRE "C". CONNECT SEPARATE CONTROL
SOURCE TO 9 COIL AND TO 1 ON PILOT
DEVICE. WIRES "A" AND "C" ARE OMITTED
AT FACTORY ON ALL CONTACTORS WITH A
COIL VOLTAGE OF 120V OR LESS.



WIRING DIAGRAM
FVNR SIZE 2, 3 & 4

| AN # | THIRD ANGLE PROJECTION | SHEET # |
|---------|---------------------------|---------|
| 09-9111 | | 1 OF 1 |

| DWG NO. | DATE | REV |
|-----------|------------|-----|
| 55-215225 | 08/11/2009 | 1 |