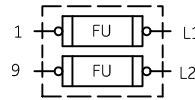


-NOMENCLATURE-
M-LINE CONTACTOR
I-INDICATING LIGHTS
FU-FUSE
X-INDICATES CONTACT CLOSED

FOR SEPARATE CONTROL SOURCE- OMIT WIRE "A"
AND WIRE "C". CONNECT SEPARATE CONTROL
SOURCE TO 9 ON COIL AND TO 1 ON PILOT
DEVICE. WIRES "A" AND "C" ARE OMITTED
AT FACTORY ON ALL CONTACTORS WITH A
COIL VOLTAGE OF 120V OR LESS.

CONTROL
CIRCUIT FUSING



	SIZE 2		SIZE 3		SIZE 4		
	LINE	LOAD	LINE	LOAD	LINE	LOAD	
USE 75°C COPPER CONDUCTORS ONLY, FOR FIELD WIRING. TORQUE LINE AND LOAD TERMINALS AS SHOWN AT RIGHT:	CR305	50 LB-IN	50 LB-IN	150 LB-IN	150 LB-IN	200 LB-IN	200 LB-IN
	CR307	AS MARKED	50 LB-IN	AS MARKED	150 LB-IN	200 LB-IN	200 LB-IN
	CR308	50 LB-IN	50 LB-IN	AS MARKED	275 LB-IN	200 LB-IN	200 LB-IN
	CR387	AS MARKED	50 LB-IN	AS MARKED	150 LB-IN	200 LB-IN	200 LB-IN

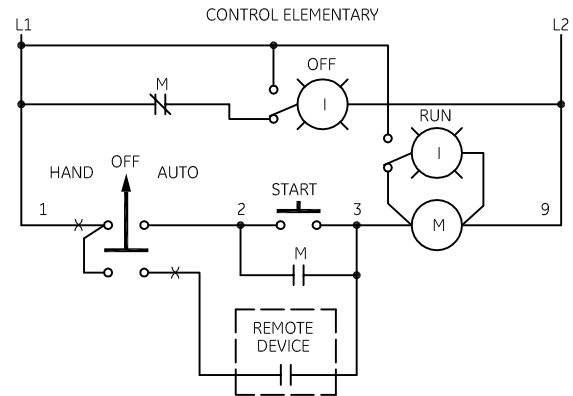
NOTE: REFER TO THE NATIONAL ELECTRICAL CODE.
ADDITIONAL CONTROL CIRCUIT OVERCURRENT
PROTECTION MAY BE REQUIRED.

FOR 1-PHASE OPERATION-CHANGE CONNECTION
OF WIRE "A" FROM L2 TO L3. CONNECT
LINE TO L1 AND L3 AND LOAD TO T1
AND T3.

FOR CONTACTOR WITHOUT DISCONNECT MEANS - WIRE
LINE DIRECT TO L1, L2 AND L3 ON CONTACTOR.

FOR EXTRA AUXILIARY CONTACTS - A MAXIMUM OF 4
CONTACTS MAY BE ADDED AT POSITIONS
T, U, W, X, Y, & Z.

FOR CSA-GND KIT	
1/2-IN CONDUIT	55-213403G001
3/4-IN CONDUIT	55-213403G002
1-IN CONDUIT	55-213403G003
1 1/4-IN CONDUIT	55-213403G004
1 1/2-IN CONDUIT	55-213403G005
2-IN CONDUIT	55-213403G006
2 1/2-IN CONDUIT	55-213403G007



imagination at work

WIRING DIAGRAM
FVNR SIZE 2, 3 & 4

AN #	THIRD ANGLE PROJECTION	SHEET #	DWG NO.	DATE	REV
09-9111		1 OF 1	55-215226	08/11/2009	1