

-NOMENCLATURE-
M-LINE CONTACTOR
I-INDICATING LIGHTS
FU-FUSE
X-INDICATES CONTACT CLOSED

	SIZE 2	SIZE 3	SIZE 4
USE 75°C COPPER CONDUCTORS ONLY, FOR FIELD WIRING. TORQUE LINE AND LOAD TERMINALS AS SHOWN AT RIGHT:	CR305 50 LB-IN	CR307 150 LB-IN	CR308 200 LB-IN
	CR307 AS MARKED 50 LB-IN	CR308 AS MARKED 150 LB-IN	CR309 AS MARKED 200 LB-IN
	CR308 50 LB-IN	CR309 AS MARKED 150 LB-IN	CR310 AS MARKED 200 LB-IN
	CR387 AS MARKED 50 LB-IN		

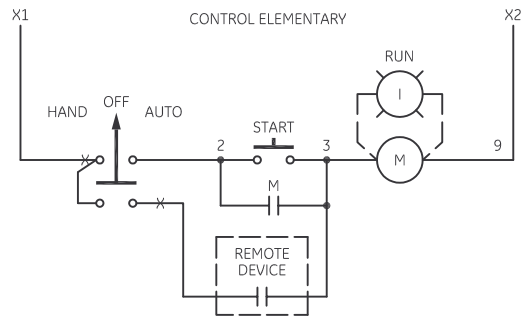
NOTE: REFER TO THE NATIONAL ELECTRICAL CODE. ADDITIONAL CONTROL CIRCUIT OVERCURRENT PROTECTION MAY BE REQUIRED.

FOR 1-PHASE OPERATION-CHANGE CONNECTION OF WIRE "A" FROM L2 TO L3. CONNECT LINE TO L1 AND L3 AND LOAD TO T1 AND T3.

FOR CONTACTOR WITHOUT DISCONNECT MEANS-WIRE LINE DIRECT TO L1, L2 AND L3 ON CONTACTOR.

FOR EXTRA AUXILIARY CONTACTS - A MAXIMUM OF 5 CONTACTS MAY BE ADDED AT POSITIONS T,U,W,X,Y & Z.

FOR CSA-GND KIT	
1/2-IN CONDUIT	55-213403G001
3/4-IN CONDUIT	55-213403G002
1-IN CONDUIT	55-213403G003
1 1/4-IN CONDUIT	55-213403G004
1 1/2-IN CONDUIT	55-213403G005
2-IN CONDUIT	55-213403G006
2 1/2-IN CONDUIT	55-213403G007



WIRING DIAGRAM
FVNR SIZE 2, 3 & 4

AN #	THIRD ANGLE PROJECTION	SHEET #
09-9111		1 OF 1

DWG NO.	DATE	REV
55-215228	08/11/2009	1