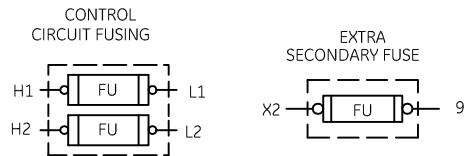


-NOMENCLATURE-
M-LINE CONTACTOR
I-INDICATING LIGHTS
FU-FUSE
X-INDICATES CONTACT CLOSED



USE 75°C COPPER CONDUCTORS ONLY, FOR FIELD WIRING. TORQUE AS SHOWN AT RIGHT:	SIZE 2		SIZE 3		SIZE 4	
	LINE	LOAD	LINE	LOAD	LINE	LOAD
CR305	50 LB-IN	50 LB-IN	150 LB-IN	150 LB-IN	200 LB-IN	200 LB-IN
CR307	AS MARKED	50 LB-IN	AS MARKED	150 LB-IN	AS MARKED	200 LB-IN
CR308	50 LB-IN	50 LB-IN	50 LB-IN	150 LB-IN	275 LB-IN	200 LB-IN
CR387	AS MARKED	50 LB-IN	AS MARKED	150 LB-IN	AS MARKED	200 LB-IN

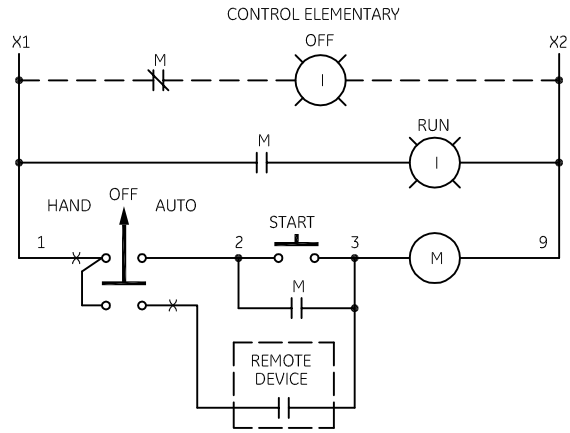
NOTE: REFER TO THE NATIONAL ELECTRICAL CODE. ADDITIONAL CONTROL CIRCUIT OVERCURRENT PROTECTION MAY BE REQUIRED.

FOR 1-PHASE OPERATION-CHANGE CONNECTION OF WIRE "A" FROM L2 TO L3. CONNECT LINE TO L1 AND L3 AND LOAD TO T1 AND T3.

FOR CONTACTOR WITHOUT DISCONNECT MEANS - WIRE LINE DIRECT TO L1,L2 AND L3 ON CONTACTOR.

FOR EXTRA AUXILIARY CONTACTS - A MAXIMUM OF 3 CONTACTS MAY BE ADDED AT POSITIONS T,U,X,Y,& Z.

FOR CSA-GND KIT	
1/2-IN CONDUIT	55-213403G001
3/4-IN CONDUIT	55-213403G002
1-IN CONDUIT	55-213403G003
1 1/4-IN CONDUIT	55-213403G004
1 1/2-IN CONDUIT	55-213403G005
2-IN CONDUIT	55-213403G006
2 1/2-IN CONDUIT	55-213403G007



WIRING DIAGRAM
FVNR SIZE 2, 3 & 4

AN #	THIRD ANGLE PROJECTION	SHEET #	DWG NO.	DATE	REV
09-9111		1 OF 1	55-215230	08/11/2009	1