

-NOMENCLATURE-  
M-LINE CONTACTOR  
I-INDICATING LIGHTS  
FU-FUSE  
X-INDICATES CONTACT CLOSED

		SIZE 2	SIZE 3	SIZE 4
USE 75°C COPPER CONDUCTORS ONLY, FOR FIELD WIRING. TORQUE AS SHOWN AT RIGHT:				
LINE AND LOAD TERMINALS AS MARKED	CR305	50 LB-IN	150 LB-IN	200 LB-IN
	CR307	AS MARKED	AS MARKED	AS MARKED
	CR308	50 LB-IN	50 LB-IN	275 LB-IN
	CR387	AS MARKED	AS MARKED	AS MARKED
		50 LB-IN	150 LB-IN	200 LB-IN

NOTE: REFER TO THE NATIONAL ELECTRICAL CODE. ADDITIONAL CONTROL CIRCUIT OVERCURRENT PROTECTION MAY BE REQUIRED.

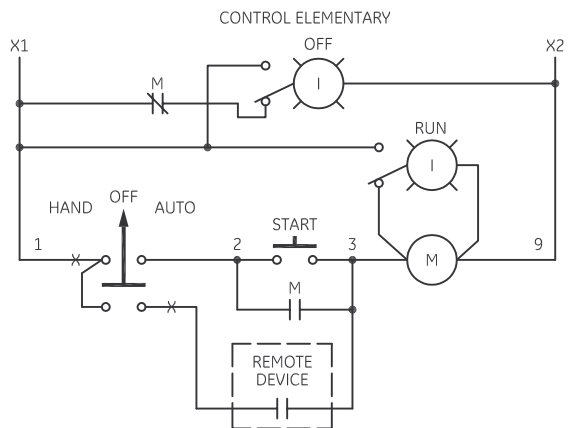
FOR 1-PHASE OPERATION-CHANGE CONNECTION OF WIRE "A" FROM L2 TO L3. CONNECT LINE TO L1 AND L3 AND LOAD TO T1 AND T3.

FOR CONTACTOR WITHOUT DISCONNECT MEANS - WIRE LINE DIRECT TO L1,L2 AND L3 ON CONTACTOR.

FOR EXTRA AUXILIARY CONTACTS - A MAXIMUM OF 4 CONTACTS MAY BE ADDED AT POSITIONS T,U,W,X,Y,& Z.

FOR CSA-GND KIT

1/2-IN CONDUIT	55-213403G001
3/4-IN CONDUIT	55-213403G002
1-IN CONDUIT	55-213403G003
1 1/4-IN CONDUIT	55-213403G004
1 1/2-IN CONDUIT	55-213403G005
2-IN CONDUIT	55-213403G006
2 1/2-IN CONDUIT	55-213403G007



WIRING DIAGRAM  
FVNR SIZE 2, 3 & 4

AN #	THIRD ANGLE PROJECTION	SHEET #	DWG NO.	DATE	REV
09-9111		1 OF 1	55-215232	08/11/2009	1