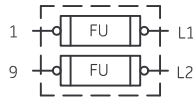


-NOMENCLATURE-
M-LINE CONTACTOR
OL-OVERLOAD RELAY
I-INDICATING LIGHT
FU-FUSE
X-INDICATES CONTACT CLOSED

FOR SEPARATE CONTROL SOURCE - OMIT WIRES "A" & "C"
AND CONNECT SEPARATE CONTROL SOURCE TO N/C
CONTACT ON OL AND TO 1 ON PILOT DEVICE.
WIRES "A" & "C" ARE OMITTED AT FACTORY ON ALL
STARTERS WITH A COIL VOLTAGE OF 120V OR LESS.

CONTROL
CIRCUIT FUSING



	LINE	LOAD
USE 75°C COPPER CONDUCTORS ONLY, FOR	CR306 20 LB-IN	20 LB-IN
FIELD WIRING, TORQUE	CR307 AS MARKED	20 LB-IN
LINE AND LOAD TERMINALS	CR308 35 LB-IN	20 LB-IN
AS SHOWN AT RIGHT:	CR387 AS MARKED	20 LB-IN

NOTE: ADDITIONAL OVER-CURRENT PROTECTION
MAY BE REQUIRED. REFER TO THE
NATIONAL ELECTRICAL CODE OR LOCAL
ELECTRICAL CODE AS REQUIRED.

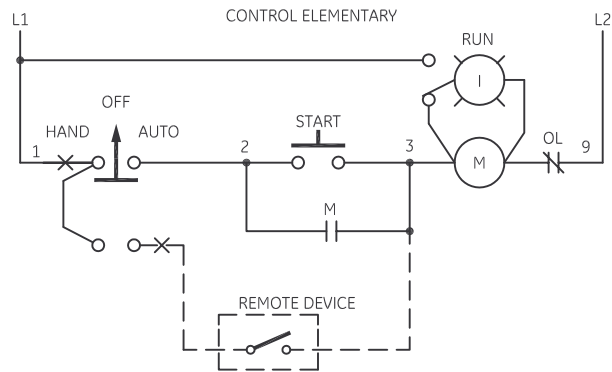
- FOR 1-PHASE OPERATION USING
- SOLID STATE OVERLOAD RELAY
SEE GEH-6430(sz 1,2) OR GEH-6431 (sz 3,4)
 - THERMAL OVERLOAD RELAY
CHANGE CONNECTION WIRE "A" FROM L2 TO L3.
CONNECT LINE TO L1 AND L3 AND LOAD TO T1 AND T3.

FOR STARTER WITHOUT DISCONNECT MEANS - WIRE
LINE DIRECT TO L1, L2 AND L3 ON CONTACTOR.

FOR EXTRA AUXILIARY CONTACTS - A MAXIMUM OF 4
CONTACTS MAY BE ADDED AT POSITIONS
T,U,W,X,Y & Z.

GROUND KIT

1/2-IN CONDUIT	55-213403G001
3/4-IN CONDUIT	55-213403G002
1-IN CONDUIT	55-213403G003
1 1/4-IN CONDUIT	55-213403G004
1 1/2-IN CONDUIT	55-213403G005
2-IN CONDUIT	55-213403G006
2 1/2-IN CONDUIT	55-213403G007
3-IN CONDUIT	55-213403G008



imagination at work

WIRING DIAGRAM
FVNR SIZE 00, 0 & 1

AN #	THIRD ANGLE PROJECTION	SHEET #
09-9111		1 OF 1

DWG NO.	DATE	REV
55-215277	08/11/2009	2