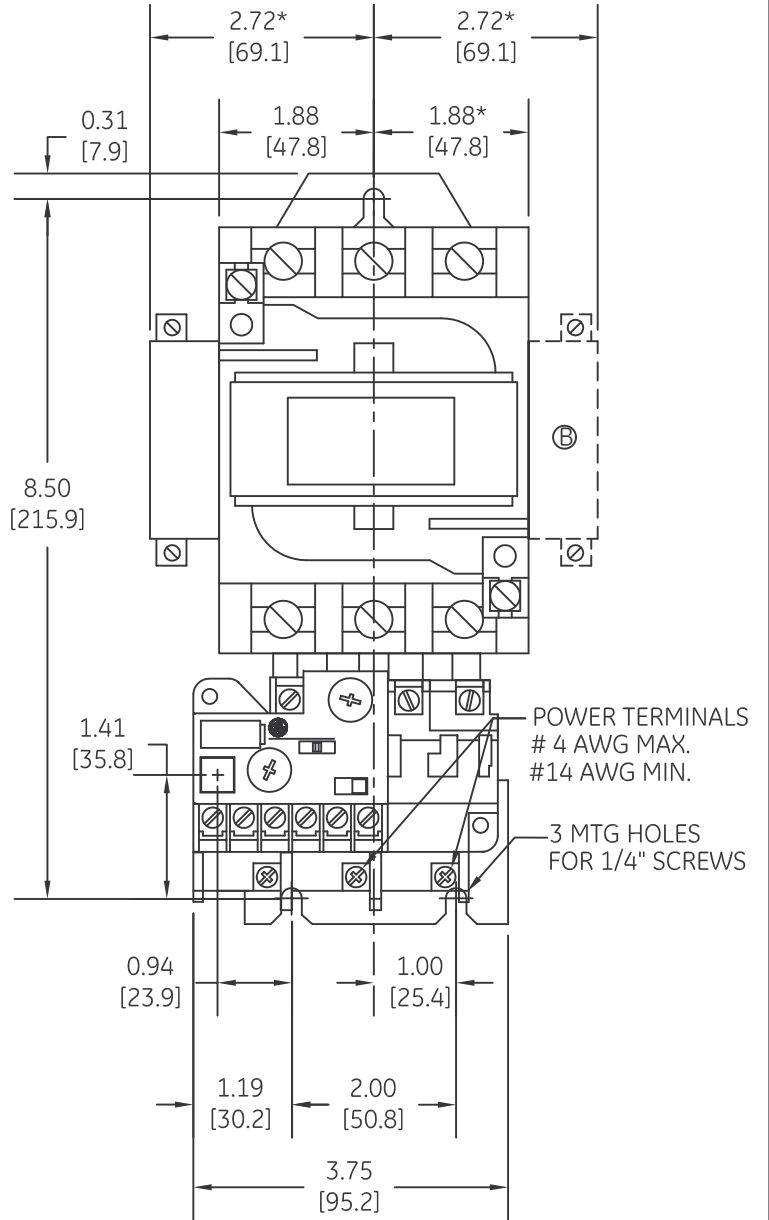
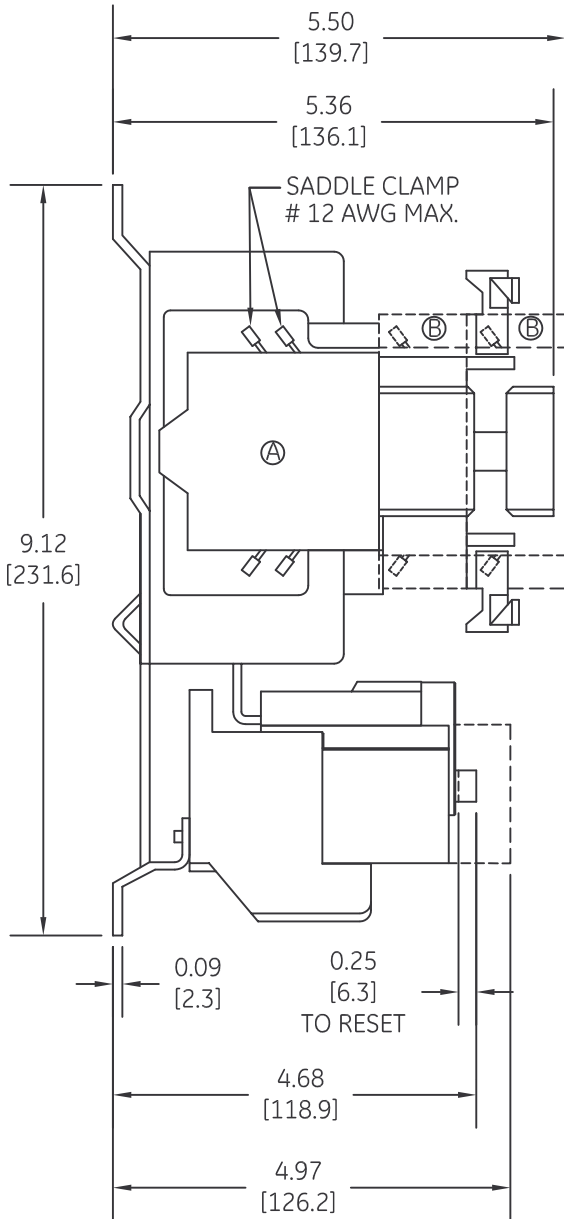

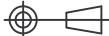


DUAL DIMENSIONS INCHES (ESTIMATING ONLY)
[MILLIMETERS]



A-AUXILIARY CONTACT
B-EXTRA AUXILIARY CONTACT (IF USED)
*-ADD 1/2 INCH FOR ELECTRICAL CLEARANCE

 imagination at work		
OUTLINE CR306D STARTER OPEN		
DWG NO.	DATE	REV
55-216101	08/18/2009	2

AN #	THIRD ANGLE PROJECTION	SHEET #
09-9112		1 OF 1