

USE 75°C, COPPER CONDUCTORS ONLY FOR FIELD WIRING. TORQUE LINE AND LOAD TERMINALS AS SHOWN AT RIGHT:

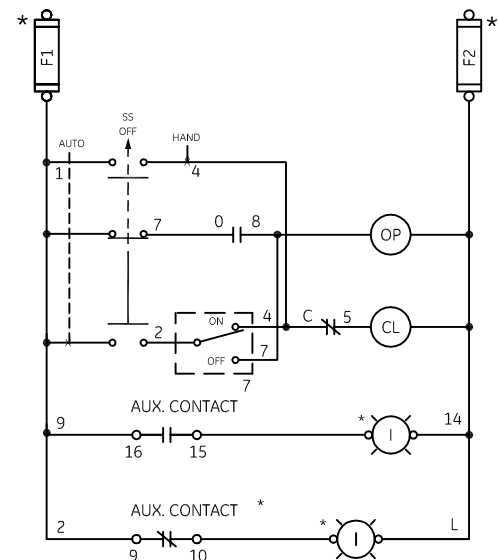
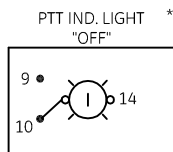
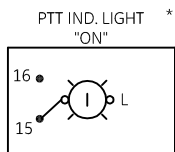
RATING	LB-IN	FOR CSA-GND KIT	
30A	30	1/2-IN CONDUIT	55-213403G001
60A	50	3/4-IN CONDUIT	55-213403G002
75A	50	1-IN CONDUIT	55-213403G003
100A	50	1 1/4-IN CONDUIT	55-213403G004
150A	250	1 1/2-IN CONDUIT	55-213403G005
200A	250	2-IN CONDUIT	55-213403G006
225A	250	2 1/2-IN CONDUIT	55-213403G007

NOMENCLATURE

- CL-CLOSING COIL
- CR1, CR2-CONTROL RELAYS
- I-INDICATING LIGHT
- OP-OPENING COIL
- PB-PUSH BUTTON
- F1, F2-OPTIONAL FUSING
- S.S-SELECTOR SWITCH
- *-WHEN ORDERED
- PTT-PUSH TO TEST

COPPER WIRE ONLY SHOULD BE USED IN ALL CONTROL TERMINALS. COPPER OR ALUMINUM WIRE ALWAYS BE USED IN POWER TERMINALS.

NOTE: ADDITIONAL OVER-CURRENT PROTECTION MAY BE REQUIRED. REFER TO THE NATIONAL ELECTRICAL CODE OR LOCAL ELECTRICAL CODE AS REQUIRED.



imagination at work

WIRING DIAGRAM
CR160MC LIGHTING CONTACTOR

AN #	THIRD ANGLE PROJECTION	SHEET #
09-9107		1 OF 1

DWG NO.	DATE	REV
55-216231	07/24/2009	1