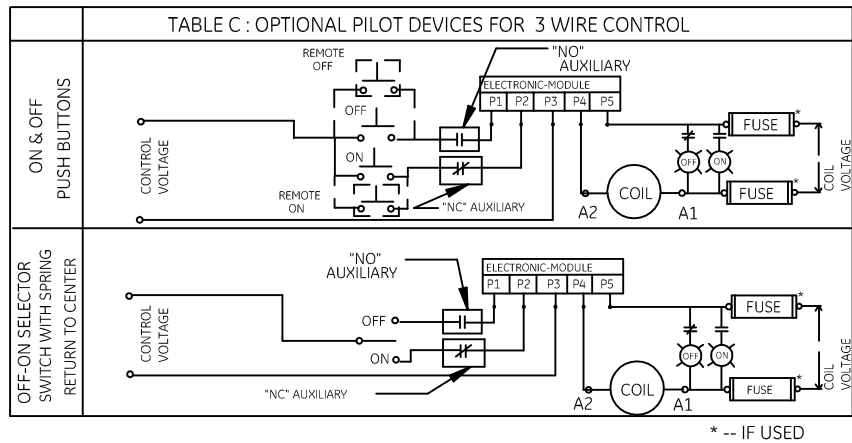
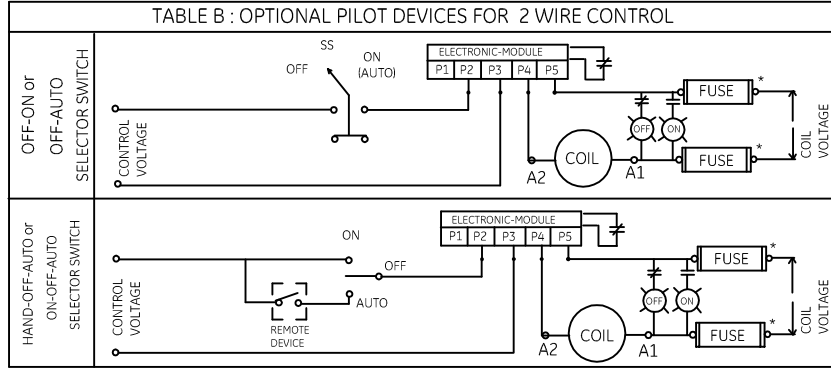
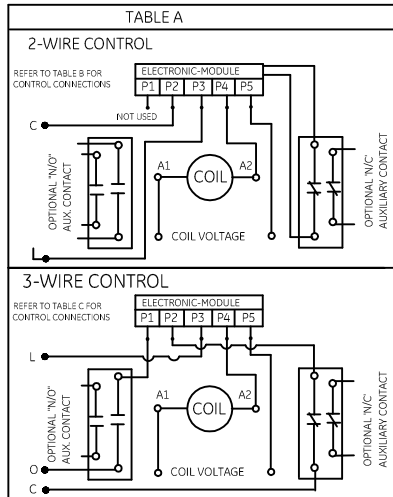
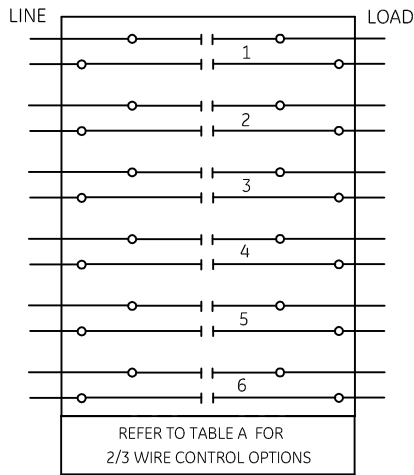


CONTACTS IN POSITIONS 1 THROUGH 4 CAN BE USED AS EITHER N/O OR N/C.

CONTACTS IN POSITIONS 5 THROUGH 6 CAN BE USED ONLY AS N/O.

MAIN CONTACTS ARE SHOWN IN OPEN POSITION
LINE AND LOAD TERMINALS ARE REVERSIBLE.



CR463M MECHANICALLY HELD CONTACTOR WIRING OPTIONS

NOTE: REFER TO THE NATIONAL ELECTRIC CODE OR LOCAL ELECTRIC CODE AS REQUIRED.

ADDITIONAL OVER CURRENT PROTECTION FOR CONTROL CIRCUIT MAY BE REQUIRED.

WHEN COIL AND LINE VOLTAGES ARE SAME, THE CONTROL VOLTAGE MAY BE DERIVED FROM THE LINE FOR SUPPLY.

USE 75°C COPPER CONDUCTORS ONLY FOR FIELD WIRING.

TORQUE LINE AND LOAD TERMINALS TO 35 LB.IN

- POWER TERMINALS : #14-#8AWG (#8 STRANDED ONLY) COPPER, SINGLE OR PARALLEL CONDUCTORS OF ANY COMBINATION
- COIL AND MODULE TERMINALS : #18-#14AWG COPPER, SINGLE OR PARALLEL CONDUCTORS OF ANY COMBINATION.
- AUXILIARY CONTACT TERMINALS : #22-#12AWG COPPER, SINGLE OR PARALLEL CONDUCTORS OF ANY COMBINATION.

FOR CSA-GND KIT

- 1/2-IN CONDUIT 55-213403G001
- 1-IN CONDUIT 55-213403G003
- 1 1/2-IN CONDUIT 55-213403G005
- 2 1/2-IN COMDUIT 55-213403G007
- 3/4-IN CONDUIT 55-213403G002
- 1 1/4-IN CONDUIT 55-213403G004
- 2-IN CONDUIT 55-213403G006
- 3-IN COMDUIT 55-213403G008



imagination at work

WIRING DIAGRAM
CR463M LIGHTING CONTACTOR

AN #	THIRD ANGLE PROJECTION	SHEET #	DWG NO.	DATE	REV
09-9107		1 OF 1	55-216846	07/13/2009	3