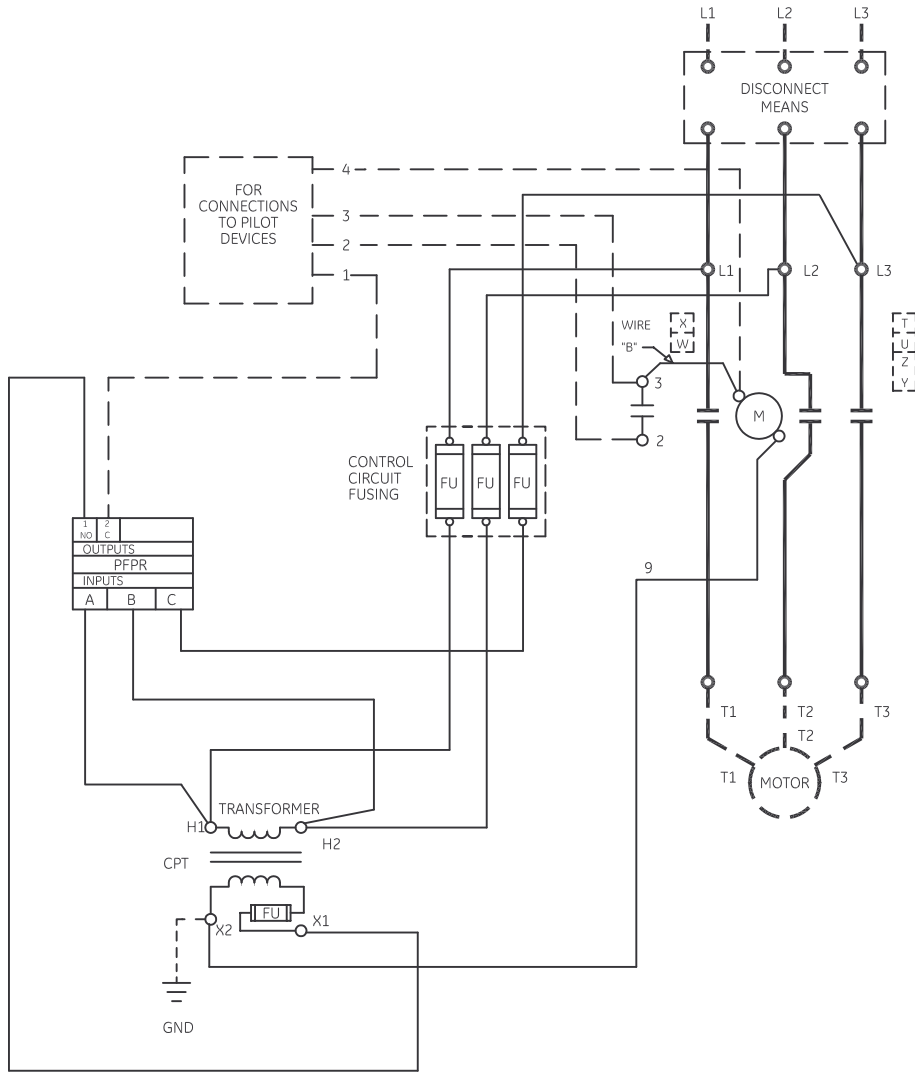
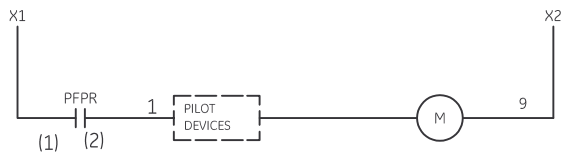


PHASE FAILURE PHASE REVERSAL RELAY (PFPR)

115 VOLT CONTROL



- NOMENCLATURE-
- M-LINE CONTACTOR
 - FU-FUSE
 - CCF-CONTROL CIRCUIT FUSING
 - CPT-CONTROL TRANSFORMER
 - PFPR-PHASE FAILURE RELAY
(AGASTAT 3 PHASE QUALITY MONITOR)
 - IT-INSTRUMENT TRANSFORMERS
 - PT-PHASE VOLTAGE RELAY



imagination at work

WIRING DIAGRAM
SUPPLEMENTAL, PFPR W/ CPT & W/O O/L

AN #	THIRD ANGLE PROJECTION	SHEET #
09-9111		1 OF 1

DWG NO.	DATE	REV
55-216874	08/11/2009	3