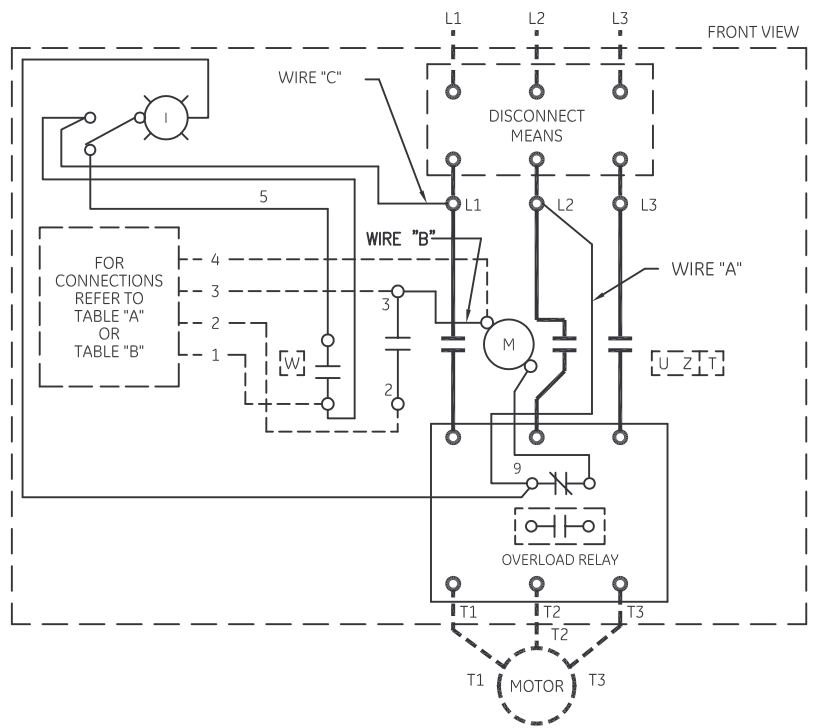


TABLE A	TABLE B
STANDARD PILOT DEVICES	OIL-TIGHT PILOT DEVICES
START-STOP 	START-STOP
PUSHBUTTONS 	PUSHBUTTONS
2 POSITION SELECTOR SWITCH 	2 POSITION SELECTOR SWITCH
3 POSITION SELECTOR SWITCH 	3 POSITION SELECTOR SWITCH



FOR 1-PHASE OPERATION USING

- SOLID STATE OVERLOAD RELAY
SEE GEH-6430(s2 1,2) OR GEH-6431 (s2 3,4)
- THERMAL OVERLOAD RELAY
CHANGE CONNECTION WIRE "A" FROM L2 TO L3.
CONNECT LINE TO L1 AND L3 AND LOAD TO T1 AND T3.

TORQUE LINE AND LOAD TERMINALS AS SHOWN AT RIGHT	LINE	LOAD
CR306	20 LB-IN	20 LB-IN
CR307	AS MARKED	20 LB-IN
CR308	35 LB-IN	20 LB-IN
CR387	AS MARKED	20 LB-IN

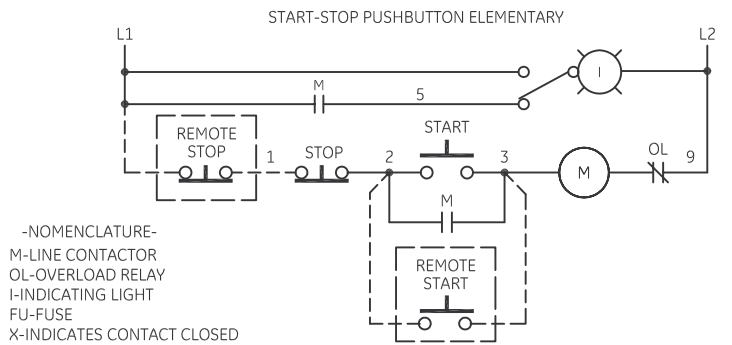
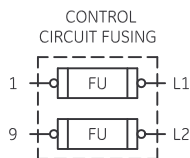
FOR SEPARATE CONTROL SOURCE - OMIT WIRES "A" & "C" AND CONNECT SEPARATE CONTROL SOURCE TO N/C CONTACT ON OL AND TO 1 ON PILOT DEVICE. WIRES "A" & "C" ARE OMITTED AT FACTORY ON ALL STARTERS WITH A COIL VOLTAGE OF 120V OR LESS.

NOTE: ADDITIONAL OVER-CURRENT PROTECTION MAY BE REQUIRED. REFER TO THE NATIONAL ELECTRICAL CODE OR LOCAL ELECTRICAL CODE AS REQUIRED.

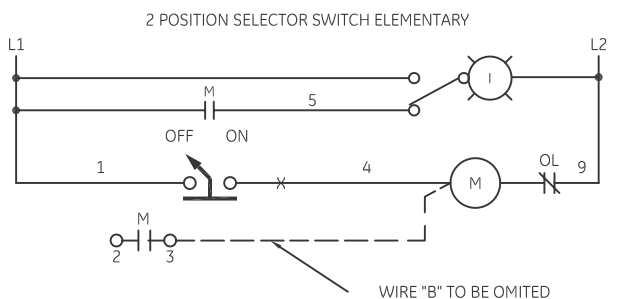
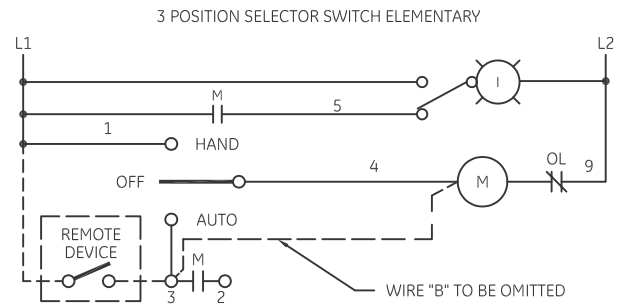
FOR STARTER WITHOUT DISCONNECT MEANS - WIRE LINE DIRECT TO L1, L2 AND L3 ON STARTER.

FOR EXTRA AUXILIARY CONTACTS- A MAXIMUM OF 3 CONTACTS MAY BE ADDED AT POSITIONS T,U,W,&Z FOR SIZE 0 & 1 ONLY.

GROUND KIT	
1/2-IN CONDUIT	55-213403G001
3/4-IN CONDUIT	55-213403G002
1-IN CONDUIT	55-213403G003
1 1/4-IN CONDUIT	55-213403G004
1 1/2-IN CONDUIT	55-213403G005
2-IN CONDUIT	55-213403G006
2 1/2-IN CONDUIT	55-213403G007
3-IN CONDUIT	55-213403G008



-NOMENCLATURE-
M-LINE CONTACTOR
OL-OVERLOAD RELAY
I-INDICATING LIGHT
FU-FUSE
X-INDICATES CONTACT CLOSED



WIRING DIAGRAM
FVNR SIZE 00, 0 & 1

AN #	THIRD ANGLE PROJECTION	SHEET #	DWG NO.	DATE	REV
09-9111		1 OF 1	55-217555	08/11/2009	2