

TABLE A STANDARD PILOT DEVICES	TABLE B OIL-TIGHT PILOT DEVICES
START-STOP 	START-STOP
PUSHBUTTONS 	PUSHBUTTONS
OFF ON 	OFF ON
(OMIT WIRE "B") 2 POSITION SELECTOR SWITCH 	(OMIT WIRE "B") 2 POSITION SELECTOR SWITCH
(OMIT WIRE "B") REMOTE DEVICE 	(OMIT WIRE "B") REMOTE DEVICE

-NOMENCLATURE-
M-LINE CONTACTOR
OL-OVERLOAD RELAY
I-INDICATING LIGHT
FU-FUSE
X-INDICATES CONTACT CLOSED

NOTE: ADDITIONAL OVER-CURRENT PROTECTION
MAY BE REQUIRED. REFER TO THE
NATIONAL ELECTRICAL CODE OR LOCAL
ELECTRICAL CODE AS REQUIRED.

USE 75°C COPPER CONDUCTORS ONLY, FOR FIELD WIRING. TORQUE LINE AND LOAD TERMINALS AS MARKED OR AS SHOWN AT RIGHT:	CR306	20 LB-IN	20 LB-IN
	CR307	AS MARKED	20 LB-IN
	CR308	35 LB-IN	20 LB-IN
	CR387	AS MARKED	20 LB-IN

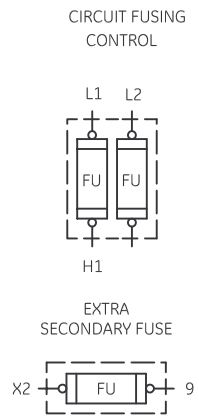
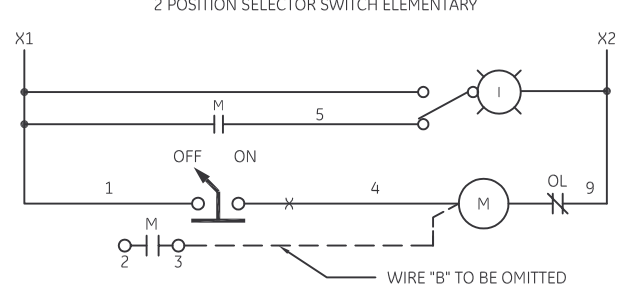
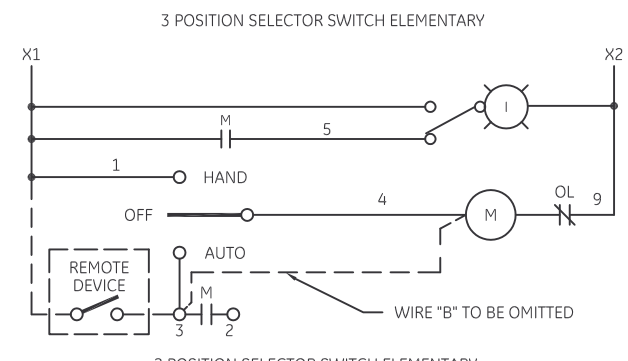
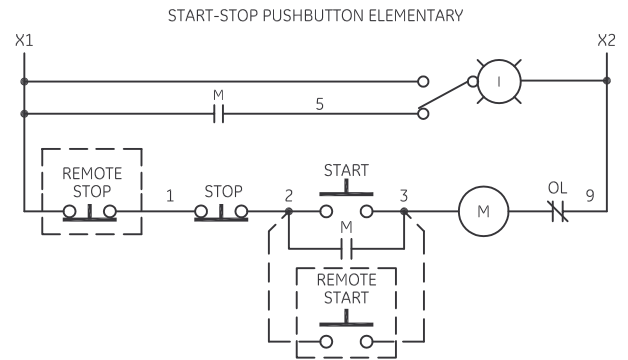
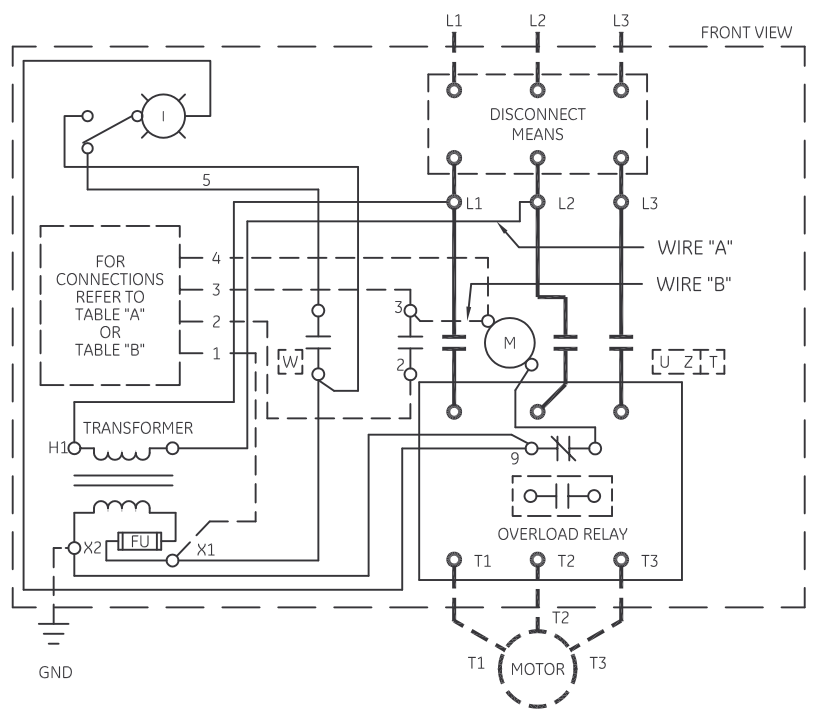
FOR 1-PHASE OPERATION USING
• SOLID STATE OVERLOAD RELAY
SEE GEH-6430(s2 1,2) OR GEH-6431 (s2 3,4)
• THERMAL OVERLOAD RELAY
CHANGE CONNECTION WIRE "A" FROM L2 TO L3.
CONNECT LINE TO L1 AND L3 AND LOAD TO T1 AND T3.

FOR STARTER WITHOUT DISCONNECT MEANS - WIRE
LINE DIRECT TO L1, L2 AND L3 ON STARTER.

FOR EXTRA AUXILIARY CONTACTS - A MAXIMUM OF 3
CONTACTS MAY BE ADDED AT POSITIONS
T,U,W,& Z FOR SIZE 0 & 1 ONLY.

GROUND KIT

1/2-IN CONDUIT	55-213403G001
3/4-IN CONDUIT	55-213403G002
1-IN CONDUIT	55-213403G003
1 1/4-IN CONDUIT	55-213403G004
1 1/2-IN CONDUIT	55-213403G005
2-IN CONDUIT	55-213403G006
2 1/2-IN CONDUIT	55-213403G007
3-IN CONDUIT	55-213403G008



WIRING DIAGRAM
FVNR SIZE 00, 0 & 1

AN #	THIRD ANGLE PROJECTION	SHEET #	DWG NO.	DATE	REV
09-9111		1 OF 1	55-217556	08/11/2009	2