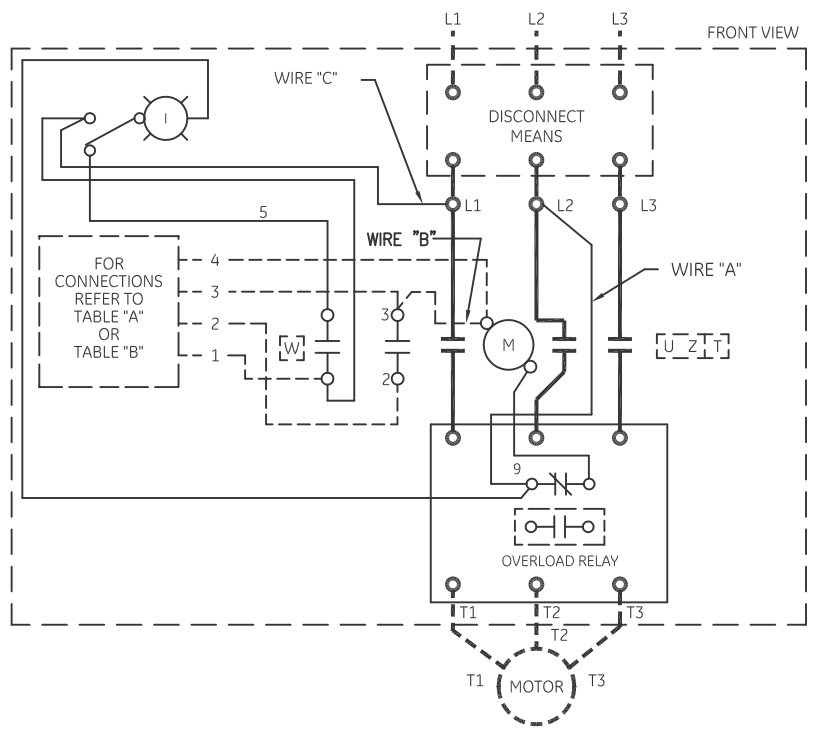


TABLE A STANDARD PILOT DEVICES	TABLE B OIL-TIGHT PILOT DEVICES
<b>START-STOP</b> 	<b>START-STOP</b> 
<b>PUSHBUTTONS</b> <b>OFF ON</b>  ( OMIT WIRE "B" )	<b>PUSHBUTTONS</b> <b>OFF ON</b>  ( OMIT WIRE "B" )
<b>2 POSITION SELECTOR SWITCH</b> <b>HAND</b> RED    1 <b>OFF</b> WHITE    3 <b>AUTO</b> BLACK    4  ( OMIT WIRE "B" )	<b>2 POSITION SELECTOR SWITCH</b> <b>HAND</b> OFF    1 <b>OFF</b> X        3 <b>AUTO</b> X        4  ( OMIT WIRE "B" )
<b>REMOTE DEVICE</b> 	<b>REMOTE DEVICE</b> 
<b>3 POSITION SELECTOR SWITCH</b> 	<b>3 POSITION SELECTOR SWITCH</b> 



FOR SEPARATE CONTROL SOURCE - OMIT WIRES "A" & "C" AND CONNECT SEPARATE CONTROL SOURCE TO N/C CONTACT ON OL AND TO 1 ON PILOT DEVICE. WIRES "A" & "C" ARE OMITTED AT FACTORY ON ALL STARTERS WITH A COIL VOLTAGE OF 120V OR LESS.

USE 75°C, COPPER CONDUCTORS ONLY, FOR FIELD WIRING. TORQUE LINE AND LOAD TERMINALS AS SHOWN AT RIGHT:

TERMINAL TIGHTENING TORQUE (LB-IN)

SIZE	LOAD SIDE		LINE SIDE		
	THERMAL OL	ELECTRONIC OL	CR306	CR307,387	CR308
2	50	20	50	AS MARKED	50
3	150	200	150	AS MARKED	50
4	200	200	200	AS MARKED	275

FOR 1-PHASE OPERATION USING

- SOLID STATE OVERLOAD RELAY  
SEE GEH-6430(s2 1,2) OR GEH-6431 (s2 3,4)
- THERMAL OVERLOAD RELAY  
CHANGE CONNECTION WIRE "A" FROM L2 TO L3.  
CONNECT LINE TO L1 AND L3 AND LOAD TO T1 AND T3.

-NOMENCLATURE-

M-LINE CONTACTOR  
OL-OVERLOAD RELAY  
I-INDICATING LIGHT  
FU-FUSE  
X-INDICATES CONTACT CLOSED

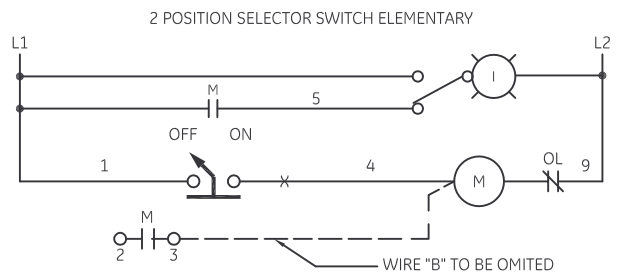
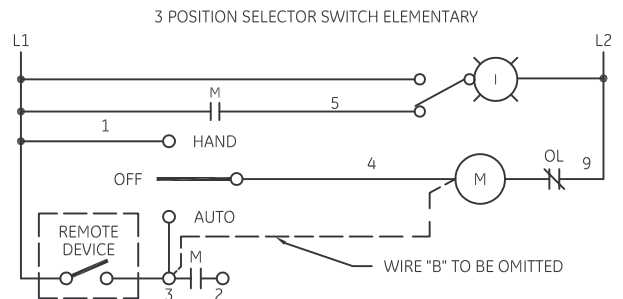
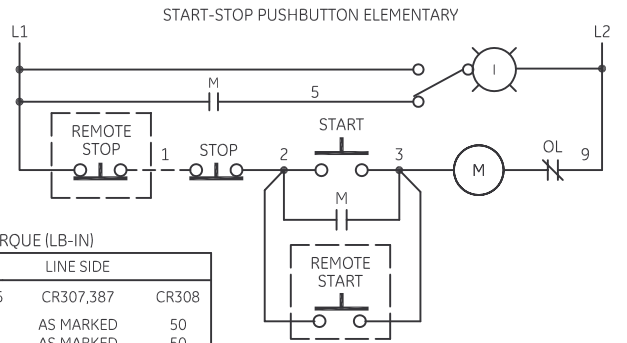
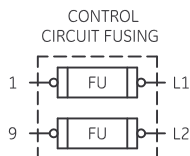
NOTE: ADDITIONAL OVER-CURRENT PROTECTION MAY BE REQUIRED. REFER TO THE NATIONAL ELECTRICAL CODE OR LOCAL ELECTRICAL CODE AS REQUIRED.

FOR STARTER WITHOUT DISCONNECT MEANS - WIRE LINE DIRECT TO L1, L2 AND L3 ON STARTER.

FOR EXTRA AUXILIARY CONTACT- A MAXIMUM OF 4 CONTACTS MAY BE ADDED AT POSITIONS T,U,W,X,Y,& Z.

GROUND KIT

1/2-IN CONDUIT	55-213403G001
3/4-IN CONDUIT	55-213403G002
1-IN CONDUIT	55-213403G003
1 1/4-IN CONDUIT	55-213403G004
1 1/2-IN CONDUIT	55-213403G005
2-IN CONDUIT	55-213403G006
2 1/2-IN CONDUIT	55-213403G007
3-IN CONDUIT	55-213403G008



imagination at work

WIRING DIAGRAM  
FVNR SIZE 2, 3 & 4

AN #	THIRD ANGLE PROJECTION	SHEET #
09-9111		1 OF 1

DWG NO.	DATE	REV
55-217557	08/11/2009	2