

TERMINAL TIGHTENING TORQUE (LB-IN)

SIZE	LOAD SIDE		LINE SIDE		
	THERMAL OL	ELECTRONIC OL	CR306	CR307,387	CR308
2	50	20	50	AS MARKED	50
3	150	200	150	AS MARKED	50
4	200	200	200	AS MARKED	275

USE 75°C, COPPER CONDUCTORS ONLY, FOR FIELD WIRING. TORQUE LINE AND LOAD TERMINALS AS SHOWN AT RIGHT:

FOR 1-PHASE OPERATION USING

- SOLID STATE OVERLOAD RELAY  
SEE GEH-6430(s2 1,2) OR GEH-6431 (s2 3,4)
- THERMAL OVERLOAD RELAY  
CHANGE CONNECTION WIRE "A" FROM L2 TO L3.  
CONNECT LINE TO L1 AND L3 AND LOAD TO T1 AND T3.

-NOMENCLATURE-

M-LINE CONTACTOR  
OL-OVERLOAD RELAY  
I-INDICATING LIGHT  
FU-FUSE  
X-INDICATES CONTACT CLOSED

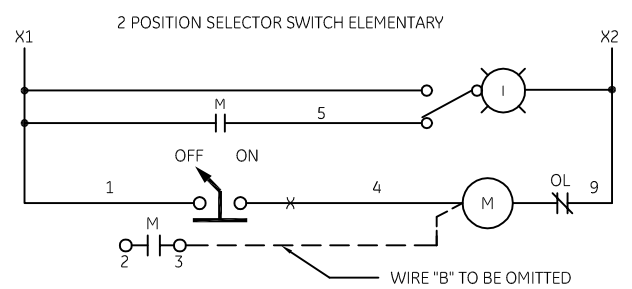
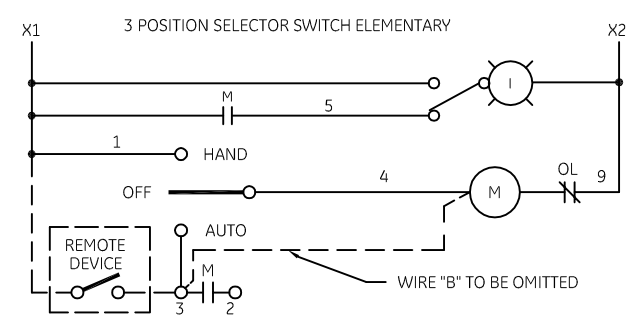
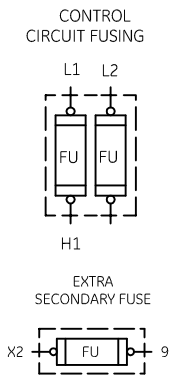
NOTE: ADDITIONAL OVER-CURRENT PROTECTION MAY BE REQUIRED. REFER TO THE NATIONAL ELECTRICAL CODE OR LOCAL ELECTRICAL CODE AS REQUIRED.

FOR STARTER WITHOUT DISCONNECT MEANS - WIRE LINE DIRECT TO L1, L2 AND L3 ON STARTER.

FOR EXTRA AUXILIARY CONTACT- A MAXIMUM OF 4 CONTACTS MAY BE ADDED AT POSITIONS T,U,W,X,Y,& Z.

GROUND KIT

1/2-IN CONDUIT	55-213403G001
3/4-IN CONDUIT	55-213403G002
1-IN CONDUIT	55-213403G003
1 1/4-IN CONDUIT	55-213403G004
1 1/2-IN CONDUIT	55-213403G005
2-IN CONDUIT	55-213403G006
2 1/2-IN CONDUIT	55-213403G007
3-IN CONDUIT	55-213403G008



WIRING DIAGRAM  
FVNR SIZE 2, 3 & 4

AN #	THIRD ANGLE PROJECTION	SHEET #	DWG NO.	DATE	REV
09-9111		1 OF 1	55-217558	08/12/2009	2