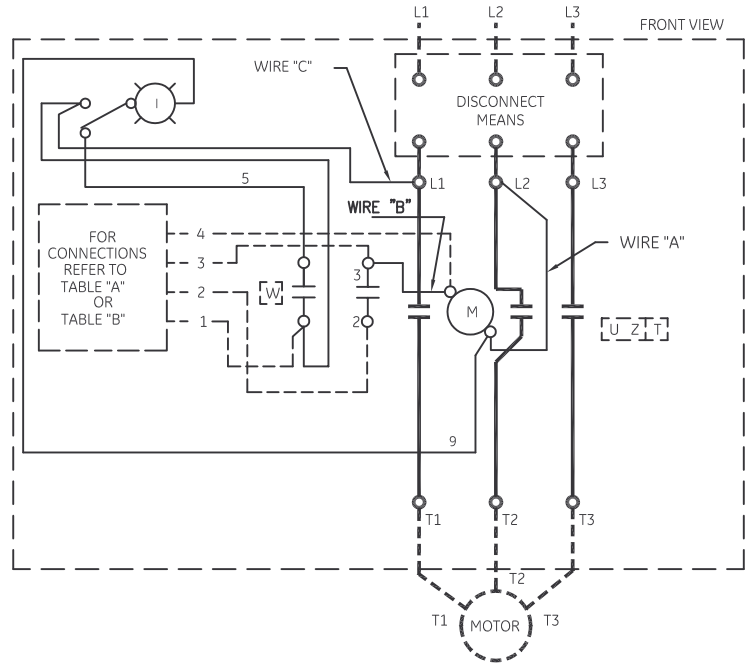


TABLE A STANDARD PILOT DEVICES	TABLE B OIL-TIGHT PILOT DEVICES
START-STOP 	START-STOP
PUSHBUTTONS OFF ON (OMIT WIRE "B")	PUSHBUTTONS OFF ON (OMIT WIRE "B")
2 POSITION SELECTOR SWITCH HAND OFF AUTO (OMIT WIRE "B")	2 POSITION SELECTOR SWITCH HAND OFF AUTO (OMIT WIRE "B")
REMOTE DEVICE 3 POSITION SELECTOR SWITCH	REMOTE DEVICE 3 POSITION SELECTOR SWITCH



-NOMENCLATURE-
M-LINE CONTACTOR
I-INDICATING LIGHT
FU-FUSE
X-INDICATES CONTACT CLOSED

	LINE	LOAD
TORQUE LINE AND LOAD TERMINALS AS SHOWN AT RIGHT	CR306 20 LB-IN	20 LB-IN
	CR307 AS MARKED	20 LB-IN
	CR308 35 LB-IN	20 LB-IN
	CR387 AS MARKED	20 LB-IN

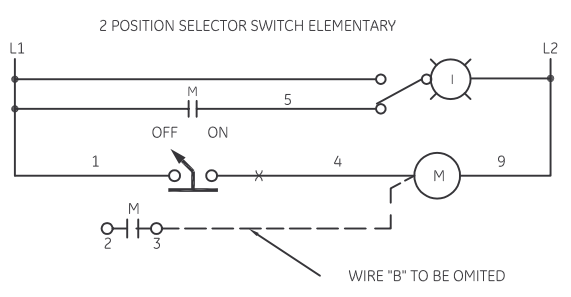
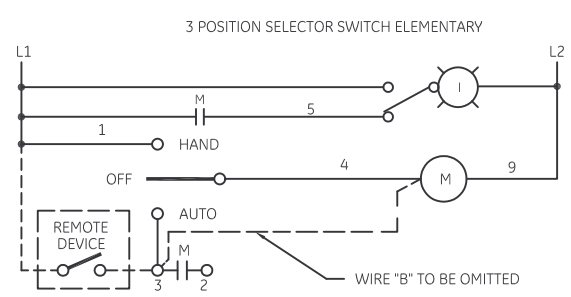
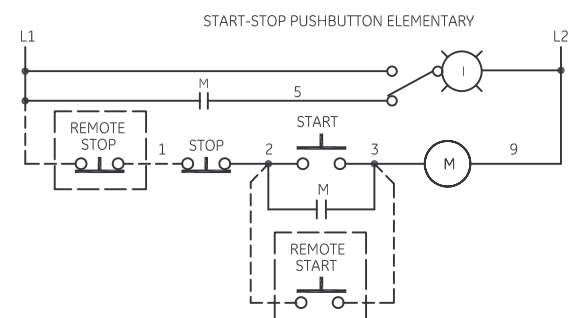
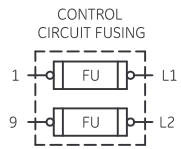
FOR SEPARATE CONTROL SOURCE - OMIT WIRES "A" & "C" AND CONNECT SEPARATE CONTROL SOURCE TO 9 ON COIL AND TO 1 ON PILOT DEVICE. WIRES "A" & "C" ARE OMITTED AT FACTORY ON ALL STARTERS WITH A COIL VOLTAGE OF 120V OR LESS.

NOTE: ADDITIONAL OVER-CURRENT PROTECTION MAY BE REQUIRED. REFER TO THE NATIONAL ELECTRICAL CODE OR LOCAL ELECTRICAL CODE AS REQUIRED.

FOR STARTER WITHOUT DISCONNECT MEANS - WIRE LINE DIRECT TO L1, L2 AND L3 ON STARTER.

FOR EXTRA AUXILIARY CONTACTS- A MAXIMUM OF 3 CONTACTS MAY BE ADDED AT POSITIONS T,U,W,&Z FOR SIZE 0 & 1 ONLY.

GROUND KIT	
1/2-IN CONDUIT	55-213403G001
3/4-IN CONDUIT	55-213403G002
1-IN CONDUIT	55-213403G003
1 1/4-IN CONDUIT	55-213403G004
1 1/2-IN CONDUIT	55-213403G005
2-IN CONDUIT	55-213403G006
2 1/2-IN CONDUIT	55-213403G007
3-IN CONDUIT	55-213403G008



imagination at work

WIRING DIAGRAM
FVNR SIZE 00, 0 & 1

DWG NO.	DATE	REV
55-217567	08/12/2009	2

AN #	THIRD ANGLE PROJECTION	SHEET #
09-9111		1 OF 1