

TABLE A STANDARD PILOT DEVICES	TABLE B OIL-TIGHT PILOT DEVICES
START-STOP 	START-STOP
PUSHBUTTONS 	PUSHBUTTONS
(OMIT WIRE "B") 2 POSITION SELECTOR SWITCH 	(OMIT WIRE "B") 2 POSITION SELECTOR SWITCH
(OMIT WIRE "B") 3 POSITION SELECTOR SWITCH 	(OMIT WIRE "B") 3 POSITION SELECTOR SWITCH

FOR 1-PHASE OPERATION USING
 • SOLID STATE OVERLOAD RELAY
 SEE GEH-6430(s2 1,2) OR GEH-6431 (s2 3,4)

• THERMAL OVERLOAD RELAY
 CHANGE CONNECTION WIRE "A" FROM L2 TO L3.
 CONNECT LINE TO L1 AND L3 AND LOAD TO T1 AND T3.

USE 75°C, COPPER CON-
 DUCTORS ONLY. FOR FIELD
 WIRING. TORQUE LINE AND
 LOAD TERMINALS AS SHOWN
 AT BELOW:

TERMINAL TIGHTENING TORQUE (LB-IN)

SIZE	LOAD SIDE		LINE SIDE	
	THERMAL OL	ELECTRONIC OL	CR306	CR307,387
2	50	20	50	AS MARKED
3	150	200	150	AS MARKED
4	200	200	200	AS MARKED

NOTE: ADDITIONAL OVER-CURRENT PROTECTION
 MAY BE REQUIRED. REFER TO THE
 NATIONAL ELECTRICAL CODE OR LOCAL
 ELECTRICAL CODE AS REQUIRED.

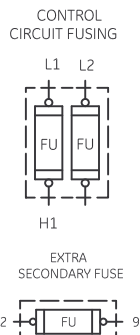
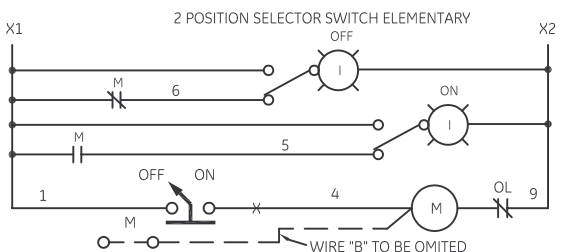
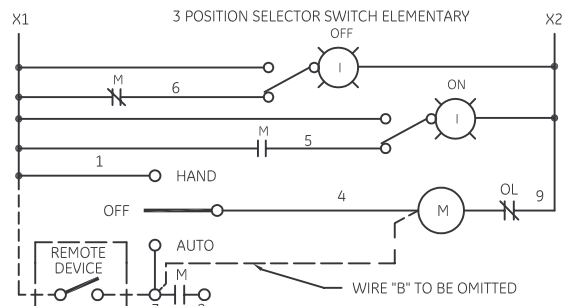
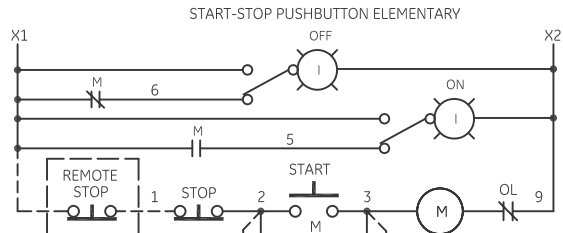
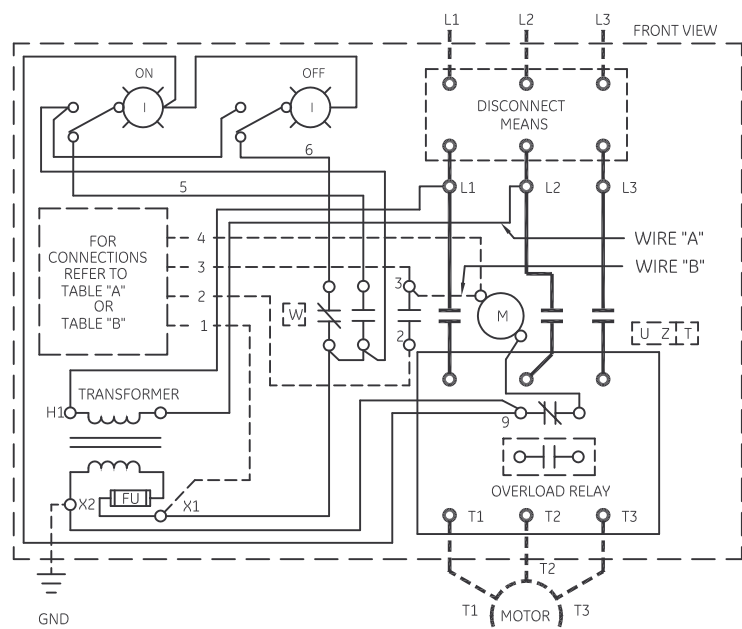
FOR STARTER WITHOUT DISCONNECT MEANS - WIRE
 LINE DIRECT TO L1, L2 AND L3 ON STARTER.

FOR EXTRA AUXILIARY CONTACT- A MAXIMUM OF 3
 CONTACTS MAY BE ADDED AT POSITIONS
 T,U,W,X,Y,& Z.

GROUND KIT

1/2-IN CONDUIT	55-213403G001
3/4-IN CONDUIT	55-213403G002
1-IN CONDUIT	55-213403G003
1 1/4-IN CONDUIT	55-213403G004
1 1/2-IN CONDUIT	55-213403G005
2-IN CONDUIT	55-213403G006
2 1/2-IN CONDUIT	55-213403G007
3-IN CONDUIT	55-213403G008

-NOMENCLATURE-
 M-LINE CONTACTOR
 OL-OVERLOAD RELAY
 I-INDICATING LIGHT
 FU-FUSE
 X-INDICATES CONTACT CLOSED



imagination at work

WIRING DIAGRAM
 FVNR SIZE 2, 3 & 4

AN #	THIRD ANGLE PROJECTION	SHEET #
09-9111		1 OF 1

DWG NO.	DATE	REV
55-217574	08/12/2009	2