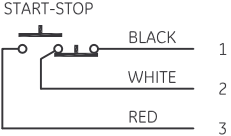
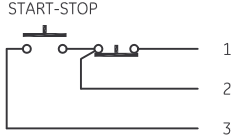
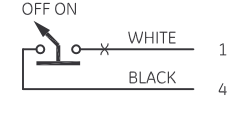
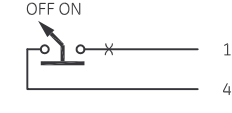
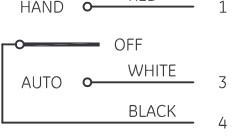
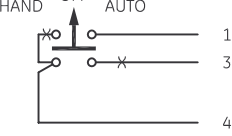
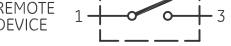
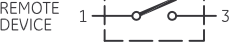


TABLE A	TABLE B
STANDARD PILOT DEVICES	OIL-TIGHT PILOT DEVICES
<p>START-STOP</p> 	<p>START-STOP</p> 
PUSHBUTTONS	PUSHBUTTONS
<p>OFF ON</p>  <p>(OMIT WIRE "B")</p>	<p>OFF ON</p>  <p>(OMIT WIRE "B")</p>
2 POSITION SELECTOR SWITCH	2 POSITION SELECTOR SWITCH
<p>HAND OFF AUTO</p>  <p>(OMIT WIRE "B")</p>	<p>OFF ON</p>  <p>(OMIT WIRE "B")</p>
REMOTE DEVICE	REMOTE DEVICE
	

-NOMENCLATURE-
M-LINE CONTACTOR
I-INDICATING LIGHT
FU-FUSE
X-INDICATES CONTACT CLOSED

TORQUE LINE AND LOAD TERMINALS AS SHOWN AT RIGHT	LINE	LOAD
CR306	20 LB-IN	20 LB-IN
CR307	AS MARKED	20 LB-IN
CR308	35 LB-IN	20 LB-IN
CR387	AS MARKED	20 LB-IN

FOR SEPARATE CONTROL SOURCE - OMIT WIRES "A" & "C" AND CONNECT SEPARATE CONTROL SOURCE TO 9 ON COIL AND TO 1 ON PILOT DEVICE. WIRES "A" & "C" ARE OMITTED AT FACTORY ON ALL STARTERS WITH A COIL VOLTAGE OF 120V OR LESS.

NOTE: ADDITIONAL OVER-CURRENT PROTECTION MAY BE REQUIRED. REFER TO THE NATIONAL ELECTRICAL CODE OR LOCAL ELECTRICAL CODE AS REQUIRED.

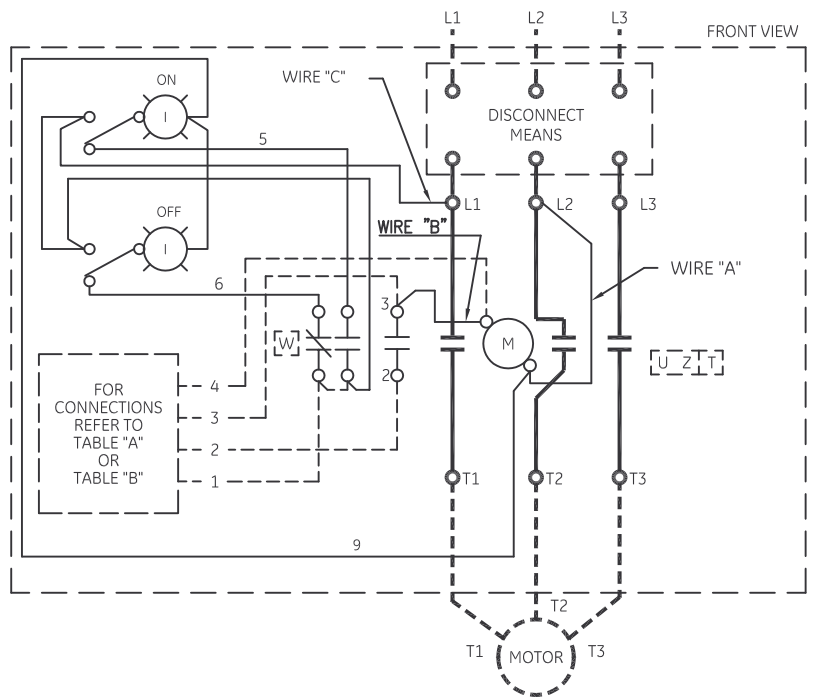
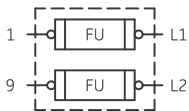
FOR STARTER WITHOUT DISCONNECT MEANS - WIRE LINE DIRECT TO L1, L2 AND L3 ON STARTER.

FOR EXTRA AUXILIARY CONTACTS- A MAXIMUM OF 2 CONTACTS MAY BE ADDED AT POSITIONS T,U,W,&Z FOR SIZE 0 & 1 ONLY.

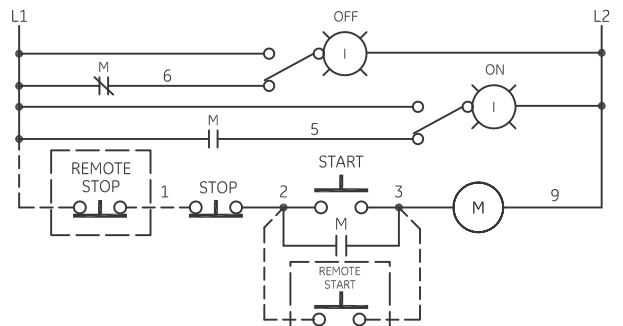
GROUND KIT

1/2-IN CONDUIT	55-213403G001
3/4-IN CONDUIT	55-213403G002
1-IN CONDUIT	55-213403G003
1 1/4-IN CONDUIT	55-213403G004
1 1/2-IN CONDUIT	55-213403G005
2-IN CONDUIT	55-213403G006
2 1/2-IN CONDUIT	55-213403G007
3-IN CONDUIT	55-213403G008

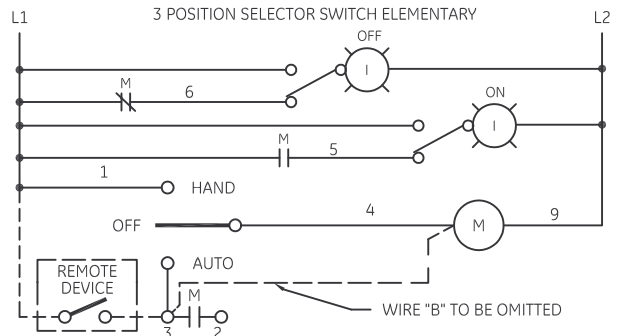
CONTROL CIRCUIT FUSING



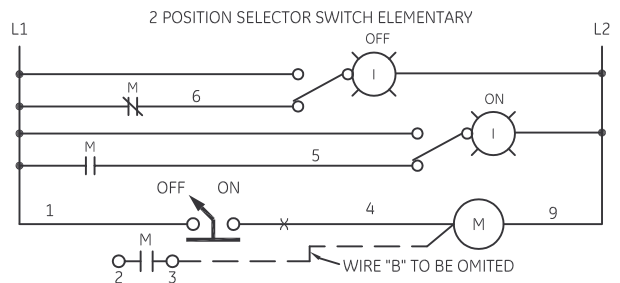
START-STOP PUSHBUTTON ELEMENTARY



3 POSITION SELECTOR SWITCH ELEMENTARY

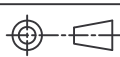


2 POSITION SELECTOR SWITCH ELEMENTARY



imagination at work

WIRING DIAGRAM
FVNR SIZE 00, 0 & 1

AN #	THIRD ANGLE PROJECTION	SHEET #
09-9111		1 OF 1

DWG NO.	DATE	REV
55-217575	08/12/2009	2