

TABLE A STANDARD PILOT DEVICES	TABLE B OIL-TIGHT PILOT DEVICES
START-STOP 1 2 3	START-STOP 1 2 3
PUSHBUTTONS OFF ON 1 4 (OMIT WIRE "B") 2 POSITION SELECTOR SWITCH	PUSHBUTTONS OFF ON 1 4 (OMIT WIRE "B") 2 POSITION SELECTOR SWITCH
HAND 1 3 4 (OMIT WIRE "B") 3 POSITION SELECTOR SWITCH	HAND 1 3 4 (OMIT WIRE "B") 3 POSITION SELECTOR SWITCH
REMOTE DEVICE 1 3 3 POSITION SELECTOR SWITCH	REMOTE DEVICE 1 3 3 POSITION SELECTOR SWITCH

-NOMENCLATURE-
M-LINE CONTACTOR
I-INDICATING LIGHT
FU-FUSE
X-INDICATES CONTACT CLOSED

NOTE: ADDITIONAL OVER-CURRENT PROTECTION
MAY BE REQUIRED. REFER TO THE
NATIONAL ELECTRICAL CODE OR LOCAL
ELECTRICAL CODE AS REQUIRED.

USE 75°C COPPER
CONDUCTORS ONLY, FOR
FIELD WIRING. TORQUE
LINE AND LOAD TERMINALS
AS MARKED OR AS SHOWN
AT RIGHT:

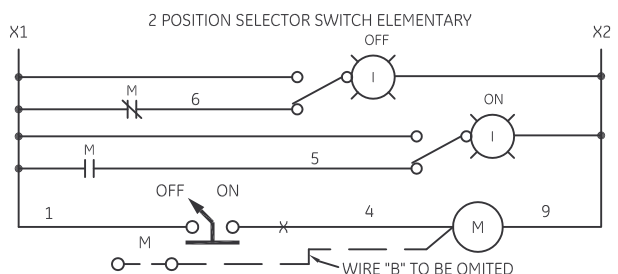
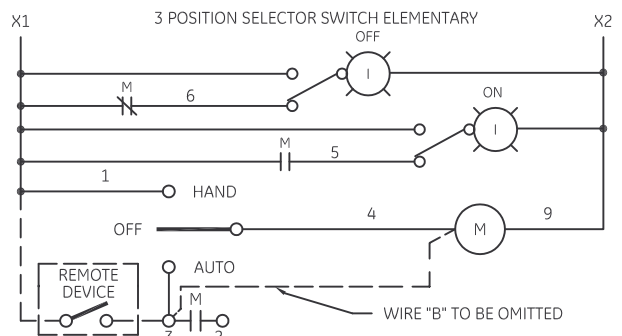
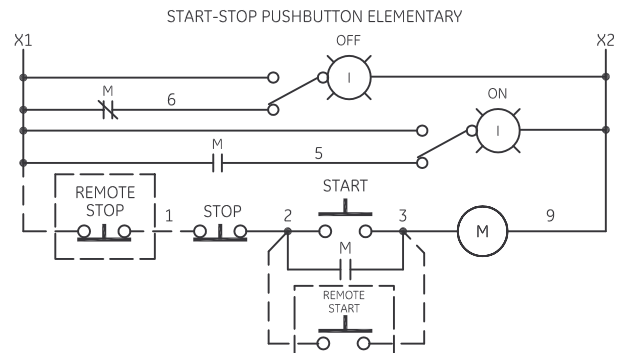
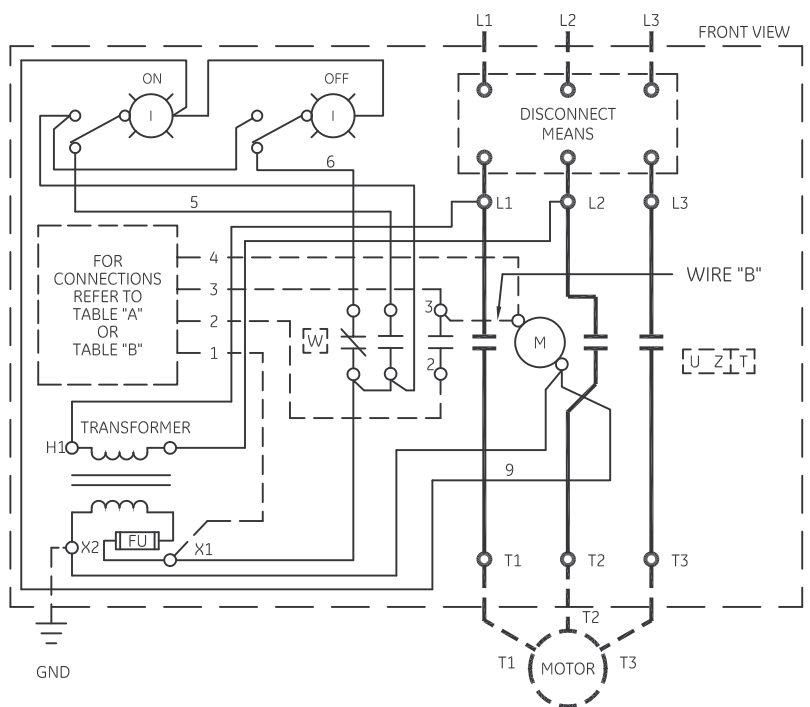
	LINE	LOAD
CR306	20 LB-IN	20 LB-IN
CR307	AS MARKED	20 LB-IN
CR308	35 LB-IN	20 LB-IN
CR387	AS MARKED	20 LB-IN

FOR STARTER WITHOUT DISCONNECT MEANS - WIRE
LINE DIRECT TO L1, L2 AND L3 ON STARTER.

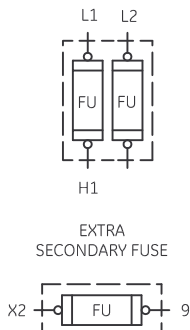
FOR EXTRA AUXILIARY CONTACTS - A MAXIMUM OF 2
CONTACTS MAY BE ADDED AT POSITIONS
T,U,W,& Z FOR SIZE 0 & 1 ONLY.

GROUND KIT

1/2-IN CONDUIT	55-213403G001
3/4-IN CONDUIT	55-213403G002
1-IN CONDUIT	55-213403G003
1 1/4-IN CONDUIT	55-213403G004
1 1/2-IN CONDUIT	55-213403G005
2-IN CONDUIT	55-213403G006
2 1/2-IN CONDUIT	55-213403G007
3-IN CONDUIT	55-213403G008



CIRCUIT FUSING
CONTROL



imagination at work

WIRING DIAGRAM
FVNR SIZE 00, 0 & 1

AN #	THIRD ANGLE PROJECTION	SHEET #
09-9111		1 OF 1

DWG NO.	DATE	REV
55-217576	08/12/2009	2