

TABLE A	TABLE B
STANDARD PILOT DEVICES	OIL-TIGHT PILOT DEVICES
START-STOP 	START-STOP
PUSHBUTTONS (OMIT WIRE "B")	PUSHBUTTONS (OMIT WIRE "B")
2 POSITION SELECTOR SWITCH (OMIT WIRE "B")	2 POSITION SELECTOR SWITCH (OMIT WIRE "B")
3 POSITION SELECTOR SWITCH (OMIT WIRE "B")	3 POSITION SELECTOR SWITCH (OMIT WIRE "B")
REMOTE DEVICE 	REMOTE DEVICE

FOR SEPARATE CONTROL SOURCE - OMIT WIRES "A" & "C" AND CONNECT SEPARATE CONTROL SOURCE TO 9 ON COIL AND TO 1 ON PILOT DEVICE. WIRES "A" & "C" ARE OMITTED AT FACTORY ON ALL STARTERS WITH A COIL VOLTAGE OF 120V OR LESS.

USE 75°C, COPPER CONDUCTORS ONLY, FOR FIELD WIRING. TORQUE LINE AND LOAD TERMINALS AS SHOWN AT BELOW:

SIZE	LOAD SIDE		LINE SIDE		
	THERMAL OL	ELECTRONIC OL	CR306	CR307,387	CR308
2	50	20	50	AS MARKED	50
3	150	200	150	AS MARKED	50
4	200	200	200	AS MARKED	275

NOTE: ADDITIONAL OVER-CURRENT PROTECTION MAY BE REQUIRED. REFER TO THE NATIONAL ELECTRICAL CODE OR LOCAL ELECTRICAL CODE AS REQUIRED.

-NOMENCLATURE-

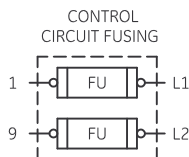
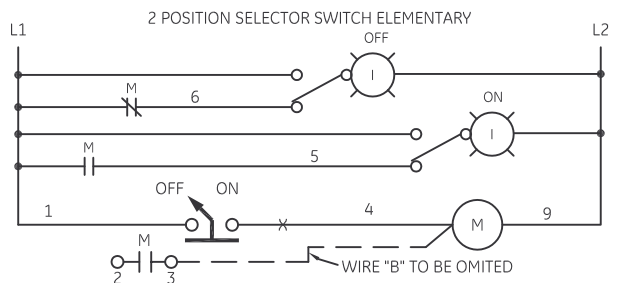
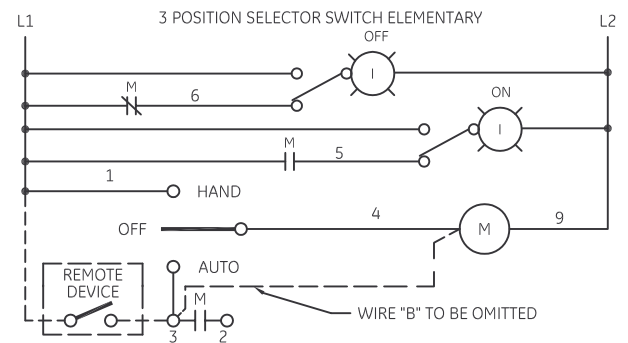
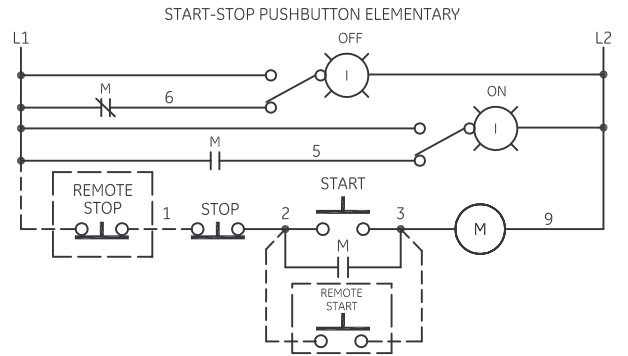
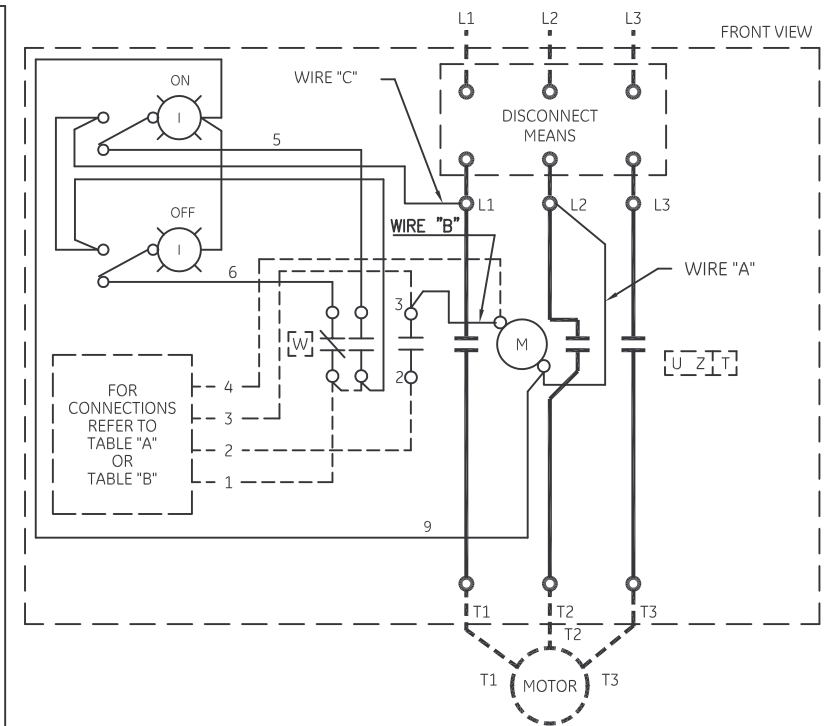
- M-LINE CONTACTOR
- OL-OVERLOAD RELAY
- IL-INDICATING LIGHT
- FU-FUSE
- X-INDICATES CONTACT CLOSED

FOR STARTER WITHOUT DISCONNECT MEANS - WIRE LINE DIRECT TO L1, L2 AND L3 ON STARTER.

FOR EXTRA AUXILIARY CONTACT- A MAXIMUM OF 3 CONTACTS MAY BE ADDED AT POSITIONS T,U,W,X,Y,& Z.

GROUND KIT

1/2-IN CONDUIT	55-213403G001
3/4-IN CONDUIT	55-213403G002
1-IN CONDUIT	55-213403G003
1 1/4-IN CONDUIT	55-213403G004
1 1/2-IN CONDUIT	55-213403G005
2-IN CONDUIT	55-213403G006
2 1/2-IN CONDUIT	55-213403G007
3-IN CONDUIT	55-213403G008



WIRING DIAGRAM
FVNR SIZE 2, 3 & 4

AN #	THIRD ANGLE PROJECTION	SHEET #
09-9111		1 OF 1

DWG NO.	DATE	REV
55-217577	08/12/2009	2