

-NOMENCLATURE-
M-LINE CONTACTOR
I-INDICATING LIGHT
X-INDICATES CONTACT CLOSED
OL-OVERLOAD RELAY
FU-FUSE

USE 75°C COPPER
CONDUCTORS ONLY, FOR
FIELD WIRING. TORQUE
LINE AND LOAD TERMINALS
AS MARKED OR AS SHOWN
AT RIGHT:

	LINE	LOAD
CR306	20 LB-IN	20 LB-IN
CR307	AS MARKED	20 LB-IN
CR308	35 LB-IN	20 LB-IN
CR387	AS MARKED	20 LB-IN

GROUND KIT

1/2-IN CONDUIT	55-213403G001
3/4-IN CONDUIT	55-213403G002
1-IN CONDUIT	55-213403G003
1 1/4-IN CONDUIT	55-213403G004
1 1/2-IN CONDUIT	55-213403G005
2-IN CONDUIT	55-213403G006
2 1/2-IN CONDUIT	55-213403G007
3-IN CONDUIT	55-213403G008

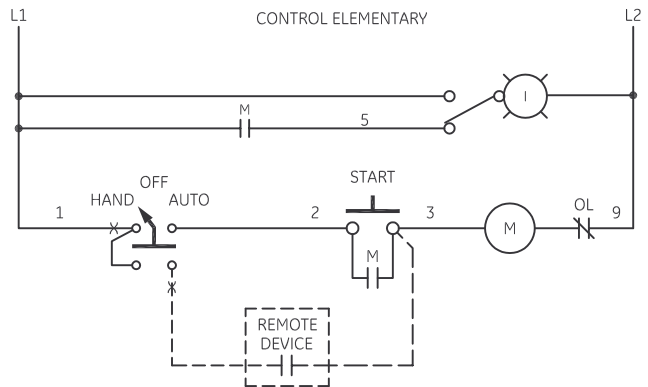
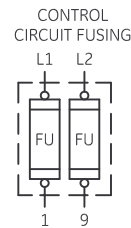
NOTE: ADDITIONAL OVER-CURRENT PROTECTION
MAY BE REQUIRED. REFER TO THE
NATIONAL ELECTRICAL CODE OR LOCAL
ELECTRICAL CODE AS REQUIRED.

NOTE: FOR STARTER WITHOUT DISCONNECT MEANS.
OMIT WIRING FROM CIRCUIT BREAKER OR DISCONNECT
SWITCH TO STARTER AND WIRE LINE DIRECT TO L1,
L2 AND L3 OR STARTER.

FOR 1-PHASE OPERATION USING

- SOLID STATE OVERLOAD RELAY
SEE GEH-6430(sz 1,2) OR GEH-6431 (sz 3,4)
- THERMAL OVERLOAD RELAY
CHANGE CONNECTION WIRE "A" FROM L2 TO L3.
CONNECT LINE TO L1 AND L3 AND LOAD TO T1 AND T3.

FOR SEPARATE CONTROL SOURCE - OMIT WIRES "A" & "C"
AND CONNECT SEPARATE CONTROL SOURCE TO N/C
CONTACT ON OL AND TO 1 ON PILOT DEVICE.
WIRES "A" & "C" ARE OMITTED AT FACTORY ON ALL
STARTERS WITH A COIL VOLTAGE OF 120V OR LESS.



FOR EXTRA AUXILIARY CONTACTS- A MAXIMUM OF 3
CONTACTS MAY BE ADDED AT POSITIONS
T,U,W,&Z FOR SIZE 0 & 1 ONLY.



imagination at work

WIRING DIAGRAM
FVNR SIZE 00, 0 & 1

AN #	THIRD ANGLE PROJECTION	SHEET #
09-9111		1 OF 1

DWG NO.

55-217580

DATE

08/12/2009

REV

2