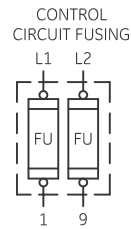


-NOMENCLATURE-  
M-LINE CONTACTOR  
I-INDICATING LIGHT  
X-INDICATES CONTACT CLOSED  
FU-FUSE

USE 75°C COPPER  
CONDUCTORS ONLY, FOR  
FIELD WIRING. TORQUE  
LINE AND LOAD TERMINALS  
AS MARKED OR AS SHOWN  
AT RIGHT:

	LINE	LOAD
CR306	20 LB-IN	20 LB-IN
CR307	AS MARKED	20 LB-IN
CR308	35 LB-IN	20 LB-IN
CR387	AS MARKED	20 LB-IN

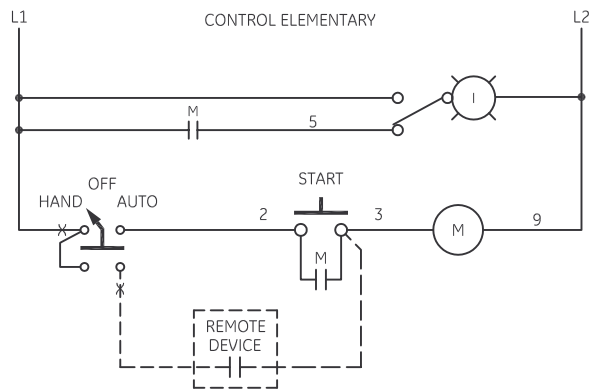


GROUND KIT	
1/2-IN CONDUIT	55-213403G001
3/4-IN CONDUIT	55-213403G002
1-IN CONDUIT	55-213403G003
1 1/4-IN CONDUIT	55-213403G004
1 1/2-IN CONDUIT	55-213403G005
2-IN CONDUIT	55-213403G006
2 1/2-IN CONDUIT	55-213403G007
3-IN CONDUIT	55-213403G008

NOTE: ADDITIONAL OVER-CURRENT PROTECTION  
MAY BE REQUIRED. REFER TO THE  
NATIONAL ELECTRICAL CODE OR LOCAL  
ELECTRICAL CODE AS REQUIRED.

NOTE: FOR STARTER WITHOUT DISCONNECT MEANS.  
OMIT WIRING FROM CIRCUIT BREAKER OR DISCONNECT  
SWITCH TO STARTER AND WIRE LINE DIRECT TO L1,  
L2 AND L3 OR STARTER.

FOR SEPARATE CONTROL SOURCE - OMIT WIRES "A" & "C"  
AND CONNECT SEPARATE CONTROL SOURCE TO 9  
ON COIL AND TO 1 ON PILOT DEVICE.  
WIRES "A" & "C" ARE OMITTED AT FACTORY ON ALL  
STARTERS WITH A COIL VOLTAGE OF 120V OR LESS.



FOR EXTRA AUXILIARY CONTACTS- A MAXIMUM OF 3  
CONTACTS MAY BE ADDED AT POSITIONS  
T,U,W,&Z FOR SIZE 0 & 1 ONLY.



imagination at work

WIRING DIAGRAM  
FVNR SIZE 00, 0 & 1

AN #	THIRD ANGLE PROJECTION	SHEET #
09-9111		1 OF 1

DWG NO.	DATE	REV
55-217584	08/12/2009	2