

-NOMENCLATURE-
M-LINE CONTACTOR
I-INDICATING LIGHT
X-INDICATES CONTACT CLOSED
OL-OVERLOAD RELAY
FU-FUSE

| | | | |
|---|-------|-----------|----------|
| USE 75°C COPPER CONDUCTORS ONLY, FOR FIELD WIRING. TORQUE AS MARKED OR AS SHOWN AT RIGHT: | | LINE | LOAD |
| | CR306 | 20 LB-IN | 20 LB-IN |
| | CR307 | AS MARKED | 20 LB-IN |
| | CR308 | 35 LB-IN | 20 LB-IN |
| | CR387 | AS MARKED | 20 LB-IN |

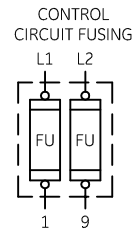
| GROUND KIT | |
|------------------|---------------|
| 1/2-IN CONDUIT | 55-213403G001 |
| 3/4-IN CONDUIT | 55-213403G002 |
| 1-IN CONDUIT | 55-213403G003 |
| 1 1/4-IN CONDUIT | 55-213403G004 |
| 1 1/2-IN CONDUIT | 55-213403G005 |
| 2-IN CONDUIT | 55-213403G006 |
| 2 1/2-IN CONDUIT | 55-213403G007 |
| 3-IN CONDUIT | 55-213403G008 |

NOTE: ADDITIONAL OVER-CURRENT PROTECTION MAY BE REQUIRED. REFER TO THE NATIONAL ELECTRICAL CODE OR LOCAL ELECTRICAL CODE AS REQUIRED.

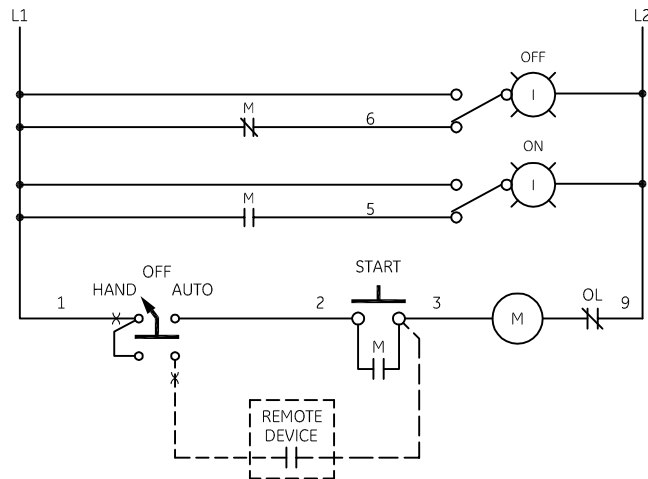
NOTE: FOR STARTER WITHOUT DISCONNECT MEANS. OMIT WIRING FROM CIRCUIT BREAKER OR DISCONNECT SWITCH TO STARTER AND WIRE LINE DIRECT TO L1, L2 AND L3 OR STARTER.

FOR 1-PHASE OPERATION USING
•SOLID STATE OVERLOAD RELAY
SEE GEH-6430(sz 1,2) OR GEH-6431 (sz 3,4)
•THERMAL OVERLOAD RELAY
CHANGE CONNECTION WIRE "A" FROM L2 TO L3.
CONNECT LINE TO L1 AND L3 AND LOAD TO T1 AND T3.

FOR SEPARATE CONTROL SOURCE - OMIT WIRES "A" & "C" AND CONNECT SEPARATE CONTROL SOURCE TO N/C CONTACT ON OL AND TO 1 ON PILOT DEVICE.
WIRES "A" & "C" ARE OMITTED AT FACTORY ON ALL STARTERS WITH A COIL VOLTAGE OF 120V OR LESS.



CONTROL ELEMENTARY



FOR EXTRA AUXILIARY CONTACTS- A MAXIMUM OF 2 CONTACTS MAY BE ADDED AT POSITIONS T,U,W,&Z FOR SIZE 0 & 1 ONLY.



imagination at work

WIRING DIAGRAM
FVNR SIZE 00, 0 & 1

| AN # | THIRD ANGLE PROJECTION | SHEET # |
|---------|------------------------|---------|
| 09-9111 | | 1 OF 1 |

| DWG NO. | DATE | REV |
|-----------|------------|-----|
| 55-217588 | 08/12/2009 | 2 |