

NOMENCLATURE

- M-LINE CONTACTOR
- OL-OVERLOAD RELAY
- FCC-FUSED CONTROL CIRCUIT
- I-INDICATING LIGHT
- FU-FUSE
- X-INDICATES CONTACT CLOSED

NOTE: FOR STARTER WITHOUT DISCONNECT MEANS. OMIT WIRING FROM CIRCUIT BREAKER OR DISCONNECT SWITCH TO STARTER AND WIRE LINE DIRECT TO L1, L2 AND L3 OF STARTER.

USE 75°C COPPER CONDUCTORS ONLY, FOR FIELD WIRING. TORQUE LINE AND LOAD TERMINALS AS MARKED OR AS SHOWN AT RIGHT:		LINE	LOAD
	CR306	20 LB-IN	20 LB-IN
	CR307	AS MARKED	20 LB-IN
	CR308	35 LB-IN	20 LB-IN
	CR387	AS MARKED	20 LB-IN

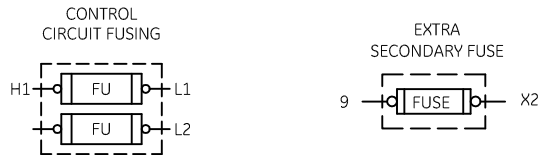
GROUND KIT

1/2-IN CONDUIT	55-213403G001
3/4-IN CONDUIT	55-213403G002
1-IN CONDUIT	55-213403G003
1 1/4-IN CONDUIT	55-213403G004
1 1/2-IN CONDUIT	55-213403G005
2-IN CONDUIT	55-213403G006
2 1/2-IN CONDUIT	55-213403G007
3-IN CONDUIT	55-213403G008

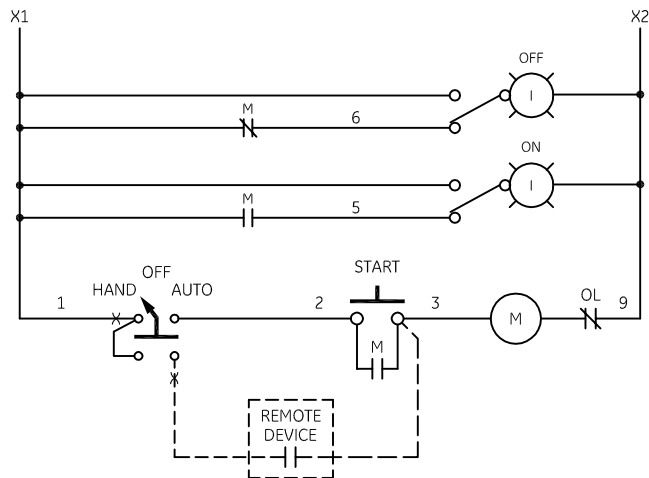
NOTE: ADDITIONAL OVER-CURRENT PROTECTION MAY BE REQUIRED. REFER TO THE NATIONAL ELECTRICAL CODE OR LOCAL ELECTRICAL CODE AS REQUIRED.

FOR 1-PHASE OPERATION USING

- SOLID STATE OVERLOAD RELAY
SEE GEH-6430(sz 1,2) OR GEH-6431 (sz 3,4)
- THERMAL OVERLOAD RELAY
CHANGE CONNECTION WIRE "A" FROM L2 TO L3. CONNECT LINE TO L1 AND L3 AND LOAD TO T1 AND T3.



CONTROL ELEMENTARY



FOR EXTRA AUXILIARY CONTACTS- A MAXIMUM OF 2 CONTACTS MAY BE ADDED AT POSITIONS T,U,W,&Z FOR SIZE 0 & 1 ONLY.



imagination at work

WIRING DIAGRAM
FVNR SIZE 00, 0 & 1

AN #	THIRD ANGLE PROJECTION	SHEET #	DWG NO.	DATE	REV
09-9111		1 OF 1	55-217589	08/12/2009	3