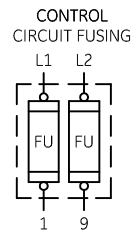


-NOMENCLATURE-
M-LINE CONTACTOR
X-INDICATES CONTACT CLOSED
I-INDICATING LIGHT
FU-FUSE

		LINE	LOAD
USE 75°C COPPER CONDUCTORS ONLY, FOR FIELD WIRING. TORQUE LINE AND LOAD TERMINALS AS MARKED OR AS SHOWN AT RIGHT:	CR306	20 LB-IN	20 LB-IN
	CR307	AS MARKED	20 LB-IN
	CR308	35 LB-IN	20 LB-IN
	CR387	AS MARKED	20 LB-IN

GROUND KIT	
1/2-IN CONDUIT	55-213403G001
3/4-IN CONDUIT	55-213403G002
1-IN CONDUIT	55-213403G003
1 1/4-IN CONDUIT	55-213403G004
1 1/2-IN CONDUIT	55-213403G005
2-IN CONDUIT	55-213403G006
2 1/2-IN CONDUIT	55-213403G007
3-IN CONDUIT	55-213403G008



NOTE: ADDITIONAL OVER-CURRENT PROTECTION MAY BE REQUIRED. REFER TO THE NATIONAL ELECTRICAL CODE OR LOCAL ELECTRICAL CODE AS REQUIRED.

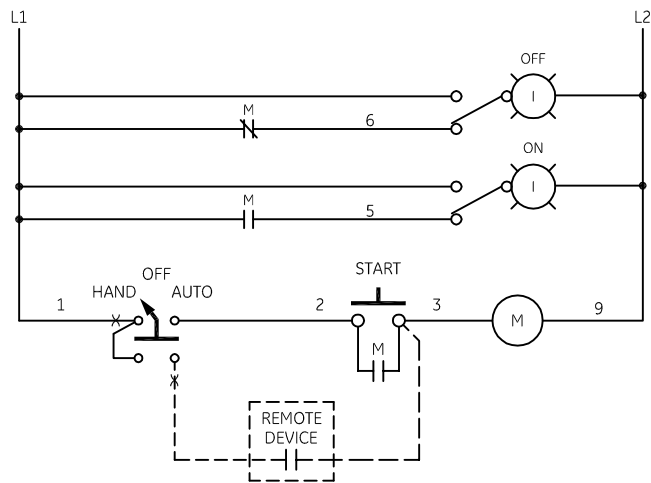
NOTE: FOR STARTER WITHOUT DISCONNECT MEANS. OMIT WIRING FROM CIRCUIT BREAKER OR DISCONNECT SWITCH TO STARTER AND WIRE LINE DIRECT TO L1, L2 AND L3 OR STARTER.

FOR SEPARATE CONTROL SOURCE - OMIT WIRES "A" & "C" AND CONNECT SEPARATE CONTROL SOURCE TO 9 ON COIL AND TO 1 ON PILOT DEVICE. WIRES "A" & "C" ARE OMITTED AT FACTORY ON ALL STARTERS WITH A COIL VOLTAGE OF 120V OR LESS.

FOR STARTER WITHOUT DISCONNECT MEANS - WIRE LINE DIRECT TO L1, L2 AND L3 ON STARTER.

FOR EXTRA AUXILIARY CONTACTS- A MAXIMUM OF 2 CONTACTS MAY BE ADDED AT POSITIONS T,U,W,&Z FOR SIZE 0 & 1 ONLY.

CONTROL ELEMENTARY



WIRING DIAGRAM
FVNR SIZE 00, 0 & 1

AN #	THIRD ANGLE PROJECTION	SHEET #
09-9111		1 OF 1

DWG NO.	DATE	REV
55-217592	08/12/2009	2