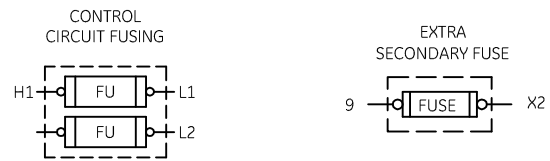


NOMENCLATURE

- M-LINE CONTACTOR
- FCC-FUSED CONTROL CIRCUIT
- I-INDICATING LIGHT
- D-PILOT DEVICE
- FU-FUSE
- X-INDICATES CONTACT CLOSED

NOTE: FOR STARTER WITHOUT DISCONNECT MEANS, OMIT WIRING FROM CIRCUIT BREAKER OR DISCONNECT SWITCH TO STARTER AND WIRE LINE DIRECT TO L1, L2 AND L3 OF STARTER.



USE 75°C COPPER CONDUCTORS ONLY, FOR FIELD WIRING, TORQUE	CR306	20 LB-IN	20 LB-IN
LINE AND LOAD TERMINALS AS MARKED OR AS SHOWN AT RIGHT:	CR307	AS MARKED	20 LB-IN
	CR308	35 LB-IN	20 LB-IN
	CR387	AS MARKED	20 LB-IN

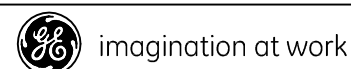
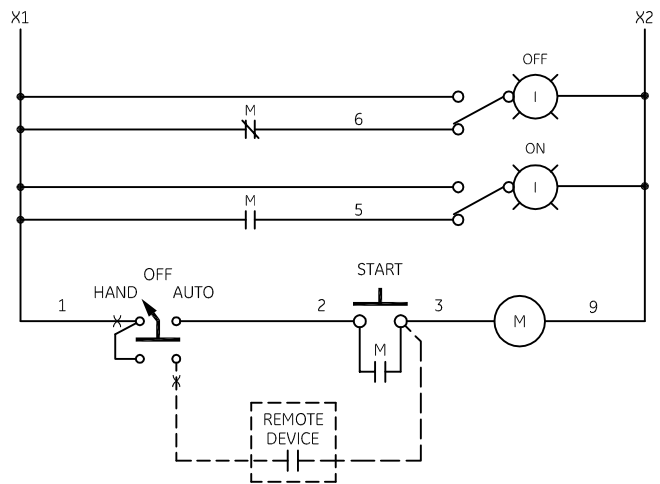
GROUND KIT	
1/2-IN CONDUIT	55-213403G001
3/4-IN CONDUIT	55-213403G002
1-IN CONDUIT	55-213403G003
1 1/4-IN CONDUIT	55-213403G004
1 1/2-IN CONDUIT	55-213403G005
2-IN CONDUIT	55-213403G006
2 1/2-IN CONDUIT	55-213403G007
3-IN CONDUIT	55-213403G008

NOTE: ADDITIONAL OVER-CURRENT PROTECTION MAY BE REQUIRED. REFER TO THE NATIONAL ELECTRICAL CODE OR LOCAL ELECTRICAL CODE AS REQUIRED.

FOR STARTER WITHOUT DISCONNECT MEANS - WIRE LINE DIRECT TO L1, L2 AND L3 ON STARTER.

FOR EXTRA AUXILIARY CONTACTS- A MAXIMUM OF 2 CONTACTS MAY BE ADDED AT POSITIONS T,U,W,&Z FOR SIZE 0 & 1 ONLY.

CONTROL ELEMENTARY



**WIRING DIAGRAM
FVNR SIZE 00, 0 & 1**

AN #	THIRD ANGLE PROJECTION	SHEET #
09-9111		1 OF 1

DWG NO.	DATE	REV
55-217593	08/12/2009	2