

-NOMENCLATURE-  
M-LINE CONTACTOR  
I-INDICATING LIGHT  
FU-FUSE  
X-INDICATES CONTACT CLOSED

FOR SEPARATE CONTROL SOURCE - OMIT WIRES "A" & "C"  
AND CONNECT SEPARATE CONTROL SOURCE TO 9  
ON COIL AND TO 1 ON PILOT DEVICE.  
WIRES "A" & "C" ARE OMITTED AT FACTORY ON ALL  
STARTERS WITH A COIL VOLTAGE OF 120V OR LESS.

USE 75°C, COPPER CON-  
DUCTORS ONLY, FOR FIELD  
WIRING. TORQUE LINE AND  
LOAD TERMINALS AS SHOWN  
AT BELOW:

SIZE	LOAD SIDE		LINE SIDE		
	THERMAL OL	ELECTRONIC OL	CR306	CR307,387	CR308
2	50	20	50	AS MARKED	50
3	150	200	150	AS MARKED	50
4	200	200	200	AS MARKED	275

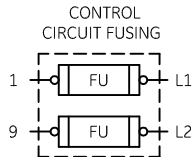
NOTE: ADDITIONAL OVER-CURRENT PROTECTION  
MAY BE REQUIRED. REFER TO THE  
NATIONAL ELECTRICAL CODE OR LOCAL  
ELECTRICAL CODE AS REQUIRED.

FOR STARTER WITHOUT DISCONNECT MEANS - WIRE  
LINE DIRECT TO L1, L2 AND L3 ON STARTER.

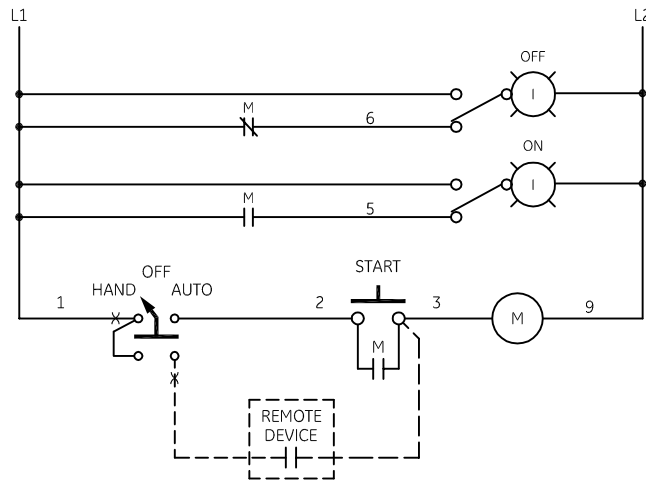
FOR EXTRA AUXILIARY CONTACT- A MAXIMUM OF 3  
CONTACTS MAY BE ADDED AT POSITIONS  
T,U,W,X,Y,& Z.

GROUND KIT

1/2-IN CONDUIT	55-213403G001
3/4-IN CONDUIT	55-213403G002
1-IN CONDUIT	55-213403G003
1 1/4-IN CONDUIT	55-213403G004
1 1/2-IN CONDUIT	55-213403G005
2-IN CONDUIT	55-213403G006
2 1/2-IN CONDUIT	55-213403G007
3-IN CONDUIT	55-213403G008



CONTROL ELEMENTARY



imagination at work

WIRING DIAGRAM  
FVNR SIZE 2, 3 & 4

AN #	THIRD ANGLE PROJECTION	SHEET #
09-9111		1 OF 1

DWG NO.	DATE	REV
55-217594	08/12/2009	2