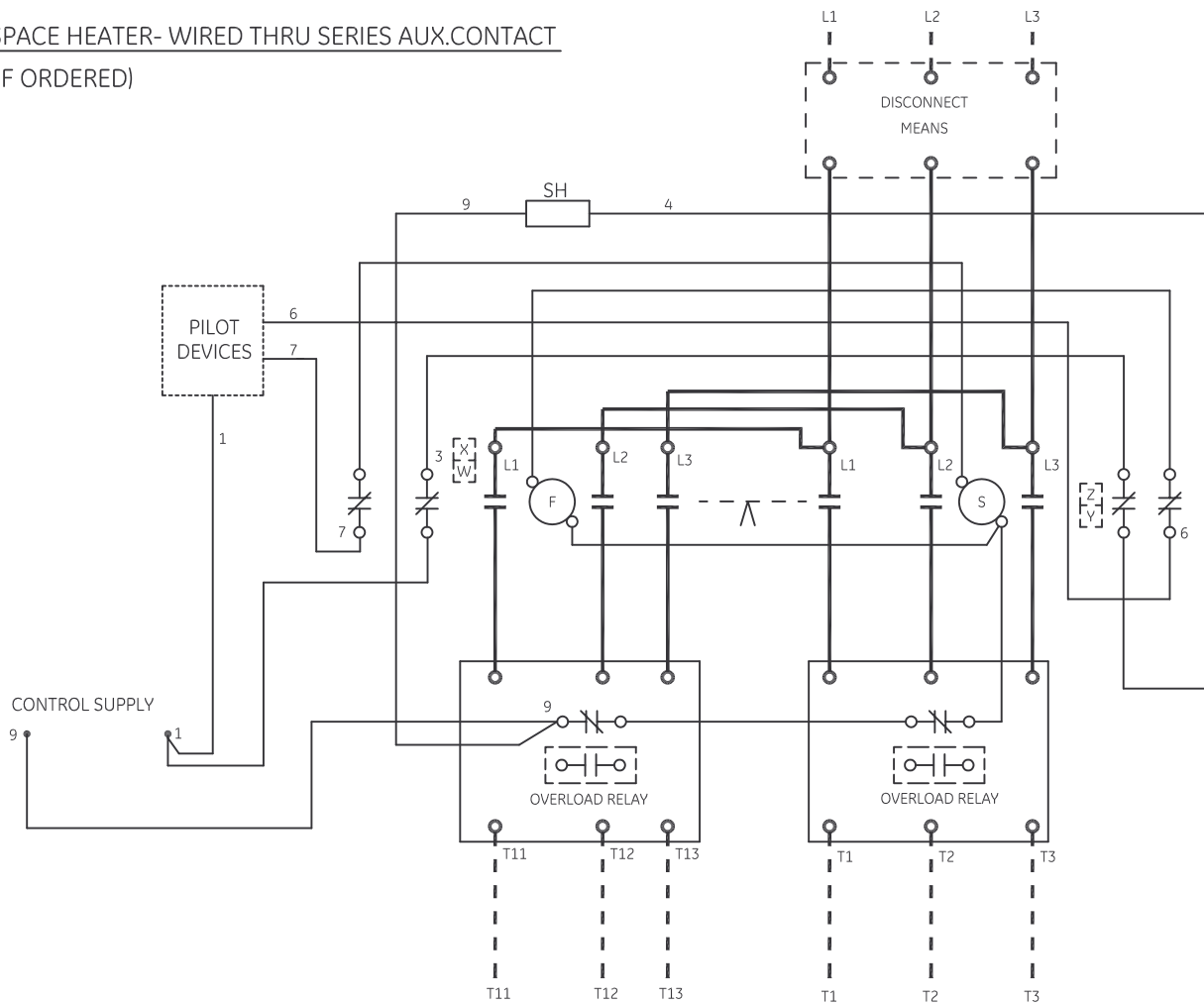


SPACE HEATER- WIRED THRU SERIES AUX.CONTACT
(IF ORDERED)



NOTE:- CONTROL SUPPLY CAN BE

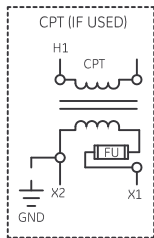
- X1 , X2 IN CASE OF WITH CPT CONTROL OR
- L1 & L2 IN CASE OF LINE VOLTAGE CONTROL
- OR SEPARATE CONTROL SOURCE

ALTERNATE LEGENDS FOR FAST AND SLOW
ARE HIGH AND LOW

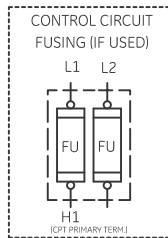
-NOMENCLATURE-

- F-FAST CONTACTOR
- S-SLOW CONTACTOR
- OL-OVERLOAD RELAY
- FU-FUSE
- CPT-CONTROL TRANSFORMER
- SH-SPACE HEATER

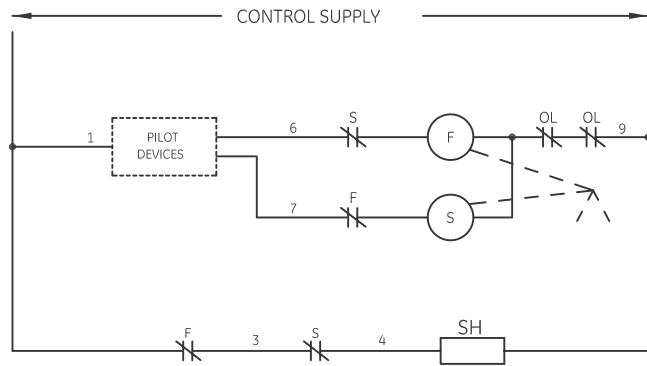
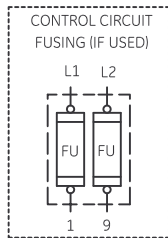
REFER THIS IN CASE OF
WITH CPT CONTROL



REFER THIS IN CASE OF
WITH CPT CONTROL



REFER THIS IN CASE OF
LINE VOLTAGE CONTROL



imagination at work

WIRING DIAGRAM
SUPPLEMENTAL, SPACE HEATER - 2S2W

AN #	THIRD ANGLE PROJECTION	SHEET #
09-9112		1 OF 1

DWG NO.	DATE	REV
55-217602	08/19/2009	2