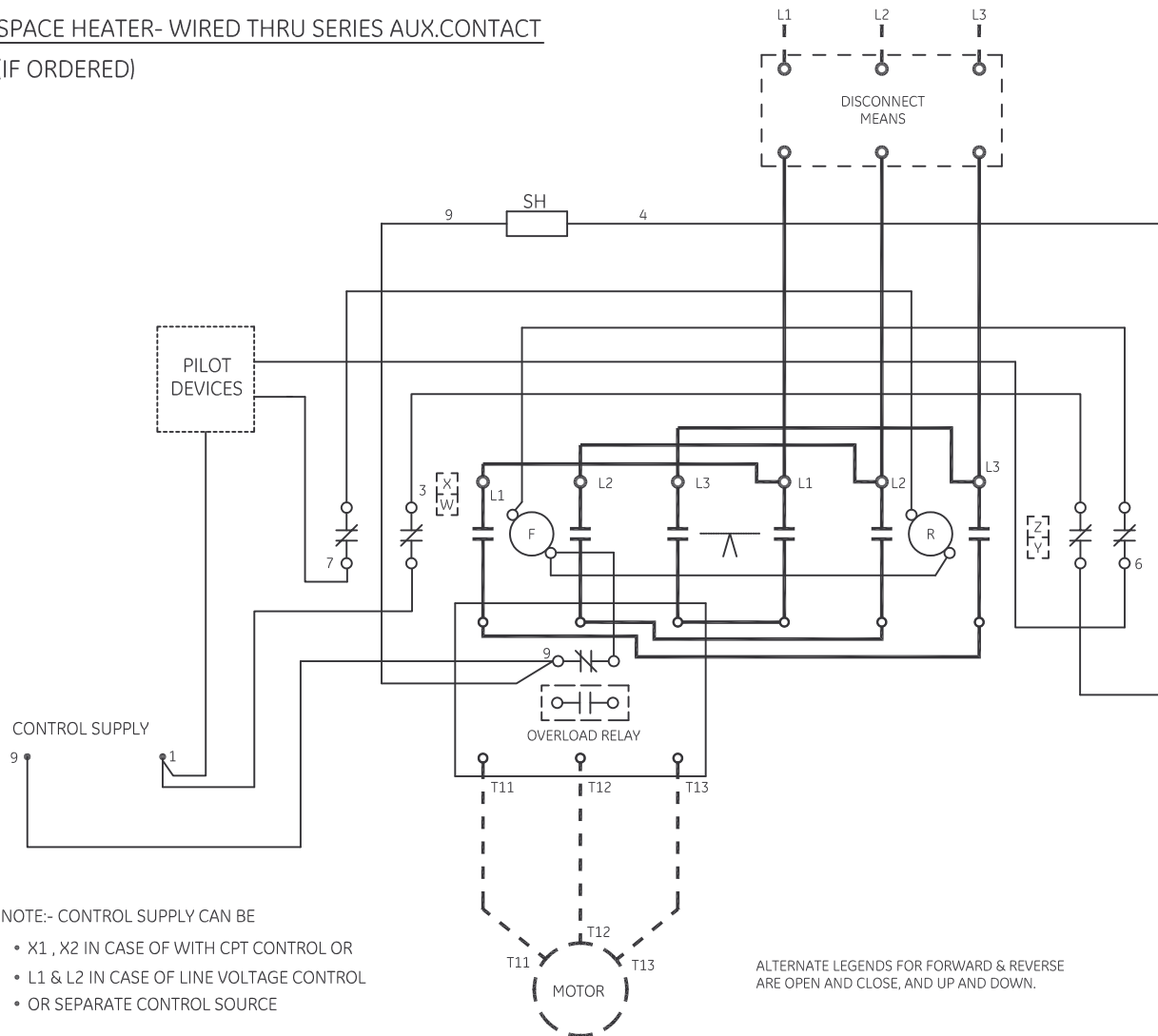


SPACE HEATER- WIRED THRU SERIES AUX. CONTACT
(IF ORDERED)

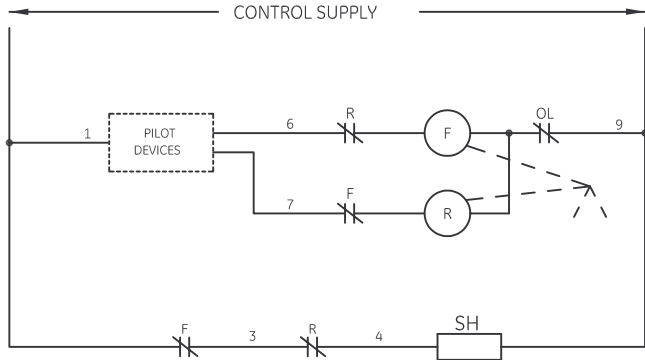
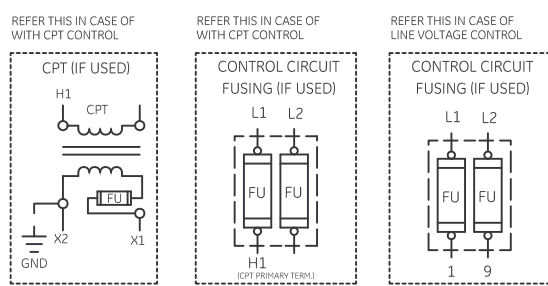


NOTE:- CONTROL SUPPLY CAN BE

- X1 , X2 IN CASE OF WITH CPT CONTROL OR
- L1 & L2 IN CASE OF LINE VOLTAGE CONTROL
- OR SEPARATE CONTROL SOURCE

ALTERNATE LEGENDS FOR FORWARD & REVERSE ARE OPEN AND CLOSE, AND UP AND DOWN.

- NOMENCLATURE-
- F-FORWARD CONTACTOR
 - R-REVERSE CONTACTOR
 - OL-OVERLOAD RELAY
 - FU-FUSE
 - CPT-CONTROL POWER TRANSFORMER
 - SH-SPACE HEATER



imagination at work

WIRING DIAGRAM
SUPPLEMENTAL, SPACE HEATER - FVR

AN #	THIRD ANGLE PROJECTION	SHEET #	DWG NO.	DATE	REV
09-9112		1 OF 1	55-217603	08/19/2009	2