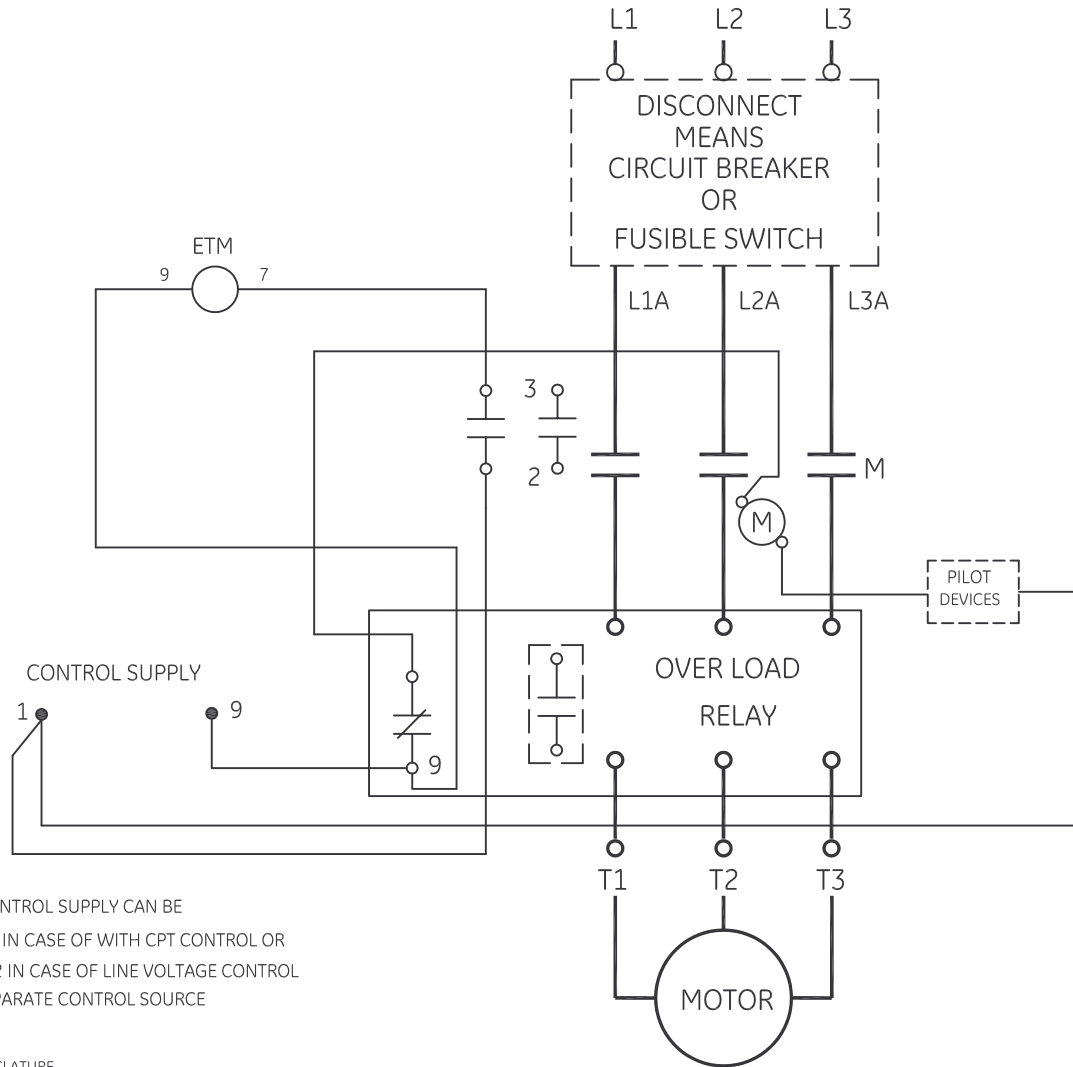


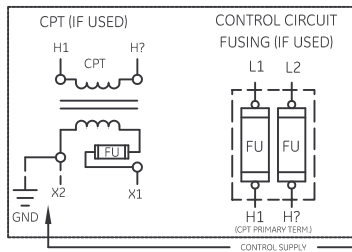
ELAPSED TIME METER - WIRED THROUGH MAIN "NO" CONTACT
(IF ORDERED)



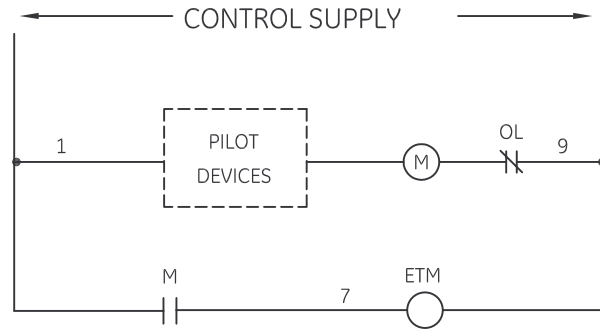
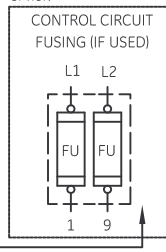
- NOTE:- CONTROL SUPPLY CAN BE
- X1 , X2 IN CASE OF WITH CPT CONTROL OR
 - L1 & L2 IN CASE OF LINE VOLTAGE CONTROL
 - OR SEPARATE CONTROL SOURCE

-NOMENCLATURE-
M-LINE CONTACTOR
OL-OVERLOAD RELAY
FU-FUSE
CPT-CONTROL POWER TRANSFORMER
ETM -ELAPSED TIME METER

REFER THIS IN CASE OF WITH CPT CONTROL OPTION



REFER THIS IN CASE OF LINE VOLTAGE CONTROL OPTION



imagination at work

WIRING DIAGRAM
SUPPLEMENTAL, ETM - FVNR

AN #	THIRD ANGLE PROJECTION	SHEET #	DWG NO.	DATE	REV
09-9112		1 OF 1	55-217608	09/29/2009	3