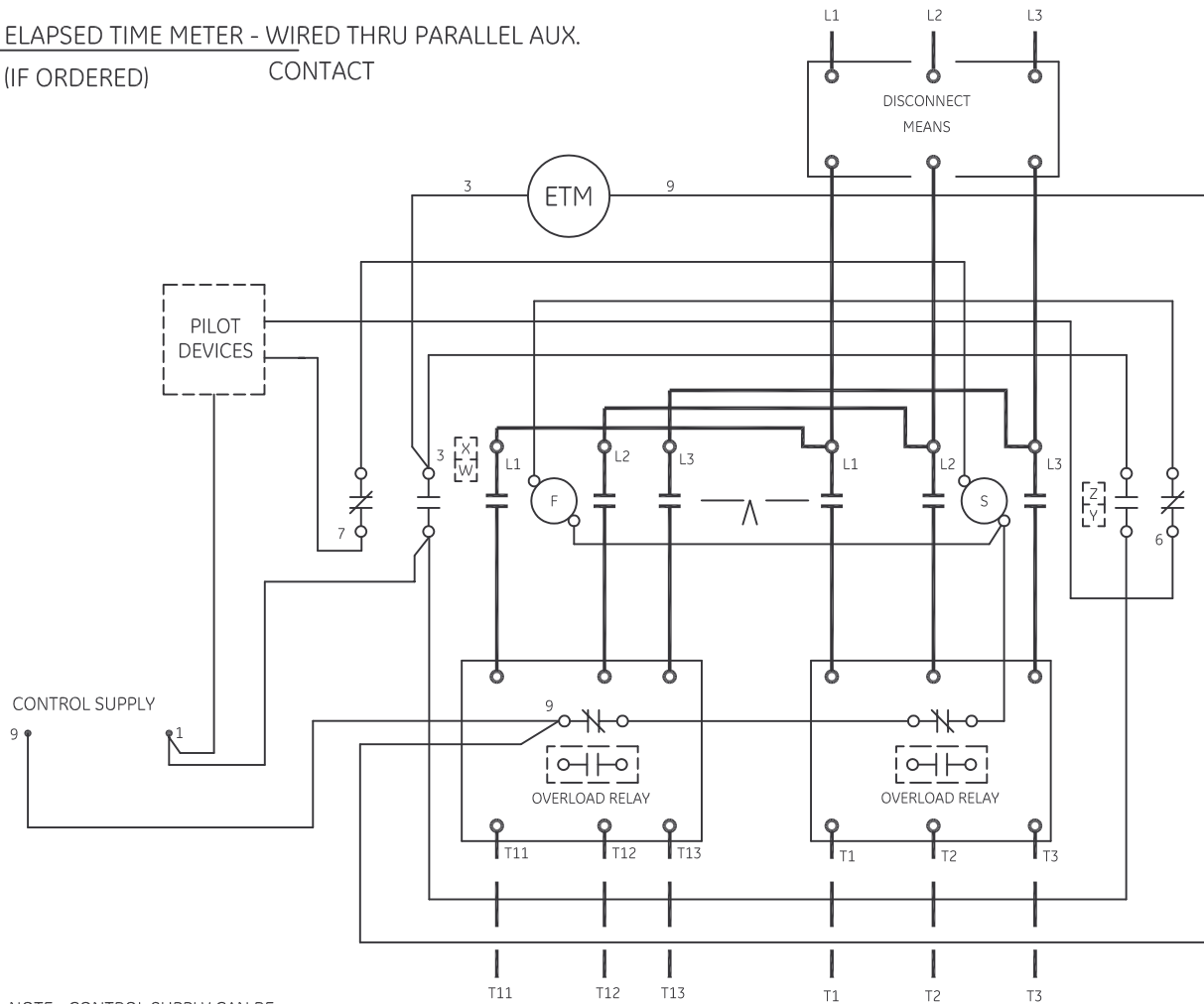


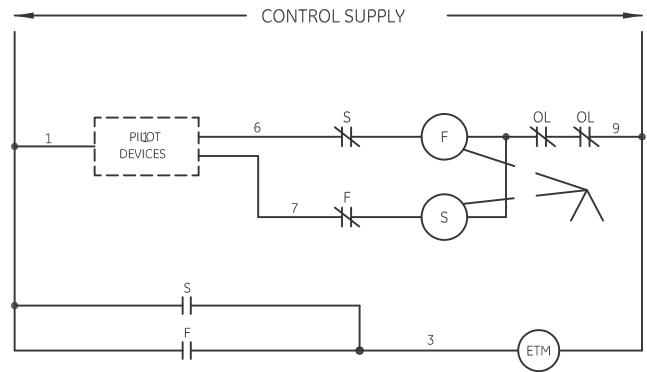
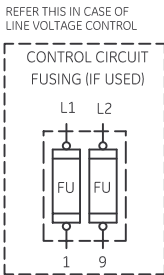
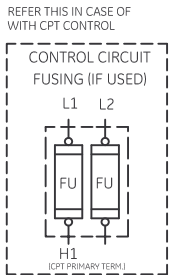
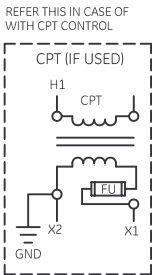
ELAPSED TIME METER - WIRED THRU PARALLEL AUX.
(IF ORDERED) CONTACT



- NOTE:- CONTROL SUPPLY CAN BE
- X1 , X2 IN CASE OF WITH CPT CONTROL OR
 - L1 & L2 IN CASE OF LINE VOLTAGE CONTROL
 - OR SEPARATE CONTROL SOURCE

ALTERNATE LEGENDS FOR FAST AND SLOW ARE HIGH AND LOW

- NOMENCLATURE-
- F-FORWARD CONTACTOR
 - S-SLOW CONTACTOR
 - OL-OVERLOAD RELAY
 - FU-FUSE
 - CPT-CONTROL TRANSFORMER
 - ETM -ELAPSED TIME METER



imagination at work

WIRING DIAGRAM
SUPPLEMENTAL, ETM - 2S2W

AN #	THIRD ANGLE PROJECTION	SHEET #
09-9112		1 OF 1

DWG NO.	DATE	REV
55-217633	08/19/2009	2