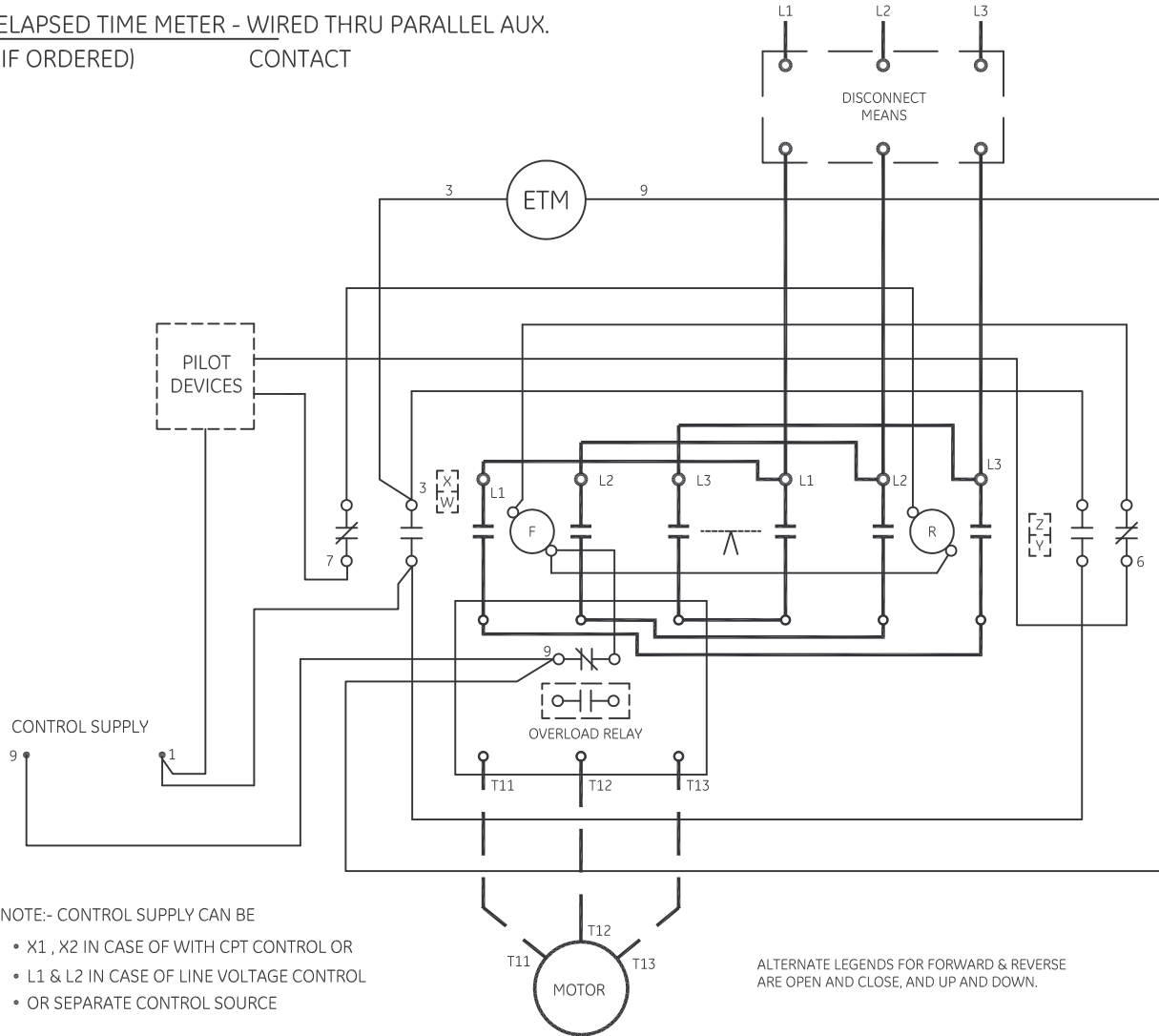


ELAPSED TIME METER - WIRED THRU PARALLEL AUX.
(IF ORDERED) CONTACT



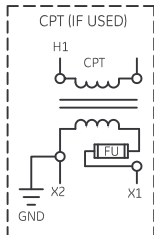
- NOTE:- CONTROL SUPPLY CAN BE
- X1 , X2 IN CASE OF WITH CPT CONTROL OR
 - L1 & L2 IN CASE OF LINE VOLTAGE CONTROL
 - OR SEPARATE CONTROL SOURCE

ALTERNATE LEGENDS FOR FORWARD & REVERSE ARE OPEN AND CLOSE, AND UP AND DOWN.

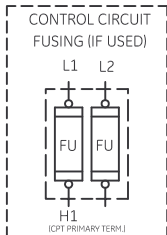
-NOMENCLATURE-

- F-FORWARD CONTACTOR
- R-REVERSE CONTACTOR
- OL-OVERLOAD RELAY
- FU-FUSE
- CPT-CONTROL POWER TRANSFORMER
- ETM -ELAPSED TIME METER

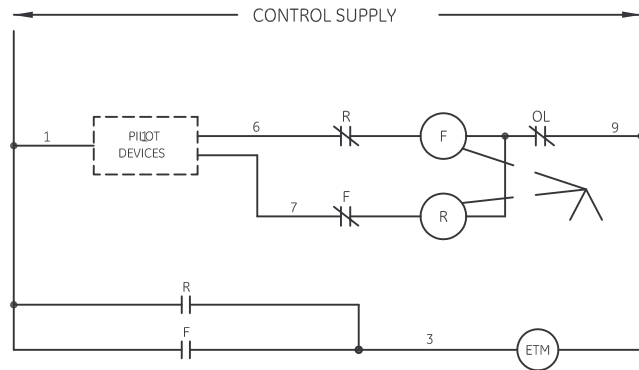
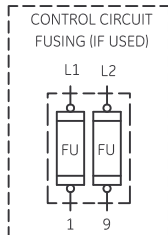
REFER THIS IN CASE OF WITH CPT CONTROL



REFER THIS IN CASE OF WITH CPT CONTROL



REFER THIS IN CASE OF LINE VOLTAGE CONTROL



imagination at work

WIRING DIAGRAM
SUPPLEMENTAL, ETM - FVR

AN #	THIRD ANGLE PROJECTION	SHEET #
09-9112		1 OF 1

DWG NO.	DATE	REV
55-217636	08/19/2009	2