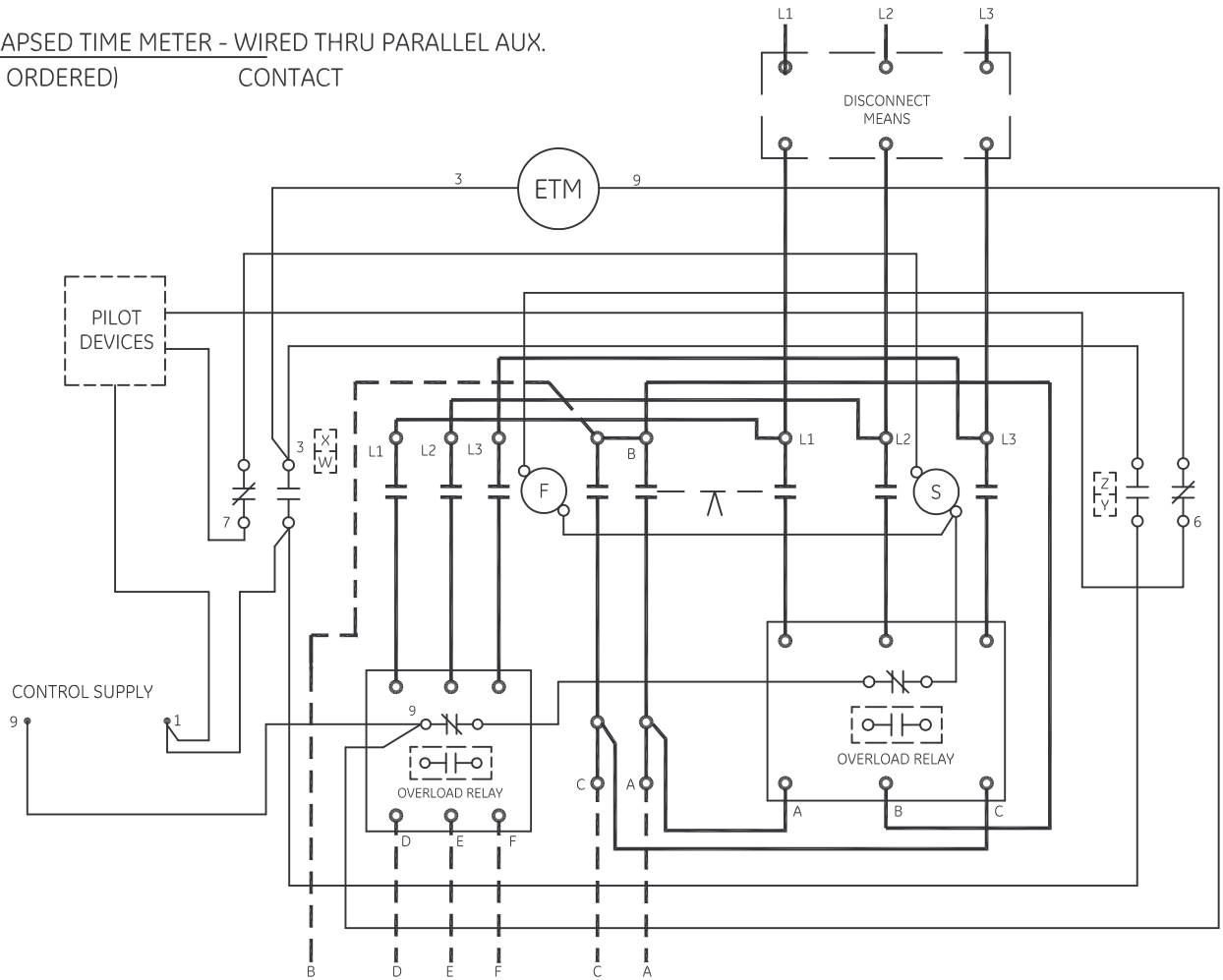


ELAPSED TIME METER - WIRED THRU PARALLEL AUX.
(IF ORDERED) CONTACT



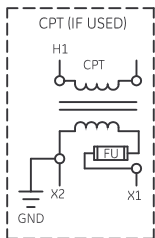
- NOTE:- CONTROL SUPPLY CAN BE
- X1, X2 IN CASE OF WITH CPT CONTROL OR
 - L1 & L2 IN CASE OF LINE VOLTAGE CONTROL
 - OR SEPARATE CONTROL SOURCE

ALTERNATE LEGENDS FOR FAST & SLOW
ARE HIGH AND LOW

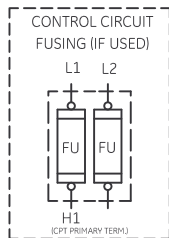
-NOMENCLATURE-

- F-FAST CONTACTOR
- S-SLOW CONTACTOR
- OL-OVERLOAD RELAY
- FU-FUSE
- CPT-CONTROL TRANSFORMER
- ETM -ELAPSED TIME METER

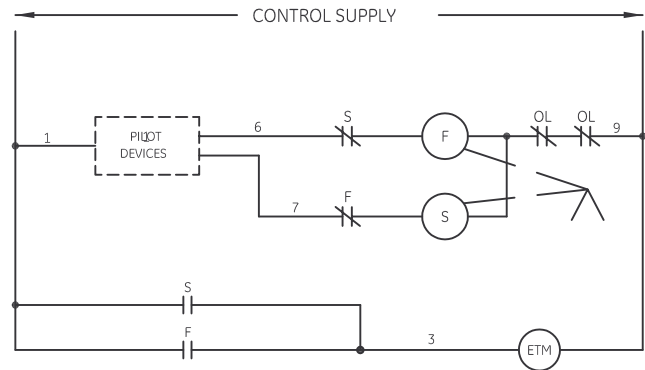
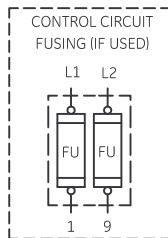
REFER THIS IN CASE OF
WITH CPT CONTROL



REFER THIS IN CASE OF
WITH CPT CONTROL



REFER THIS IN CASE OF
LINE VOLTAGE CONTROL



imagination at work

WIRING DIAGRAM
SUPPLEMENTAL, ETM - 2S1W

AN #	THIRD ANGLE PROJECTION	SHEET #
09-9112		1 OF 1

DWG NO.	DATE	REV
55-217637	08/19/2009	2