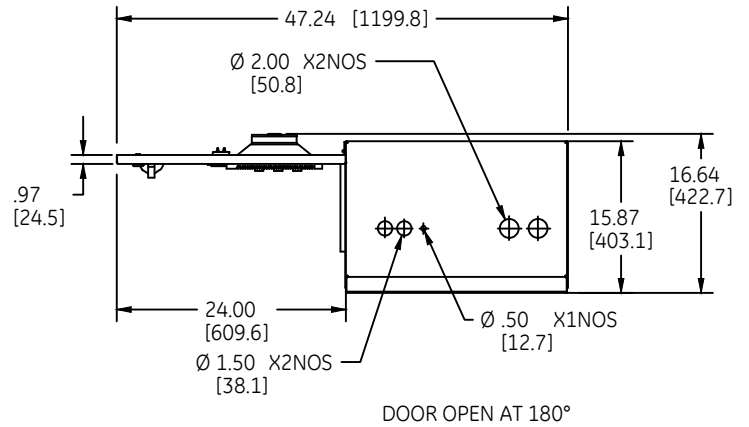
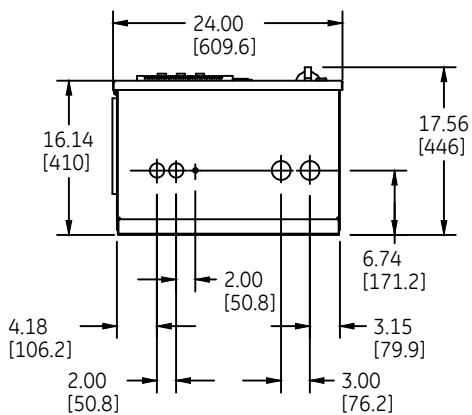
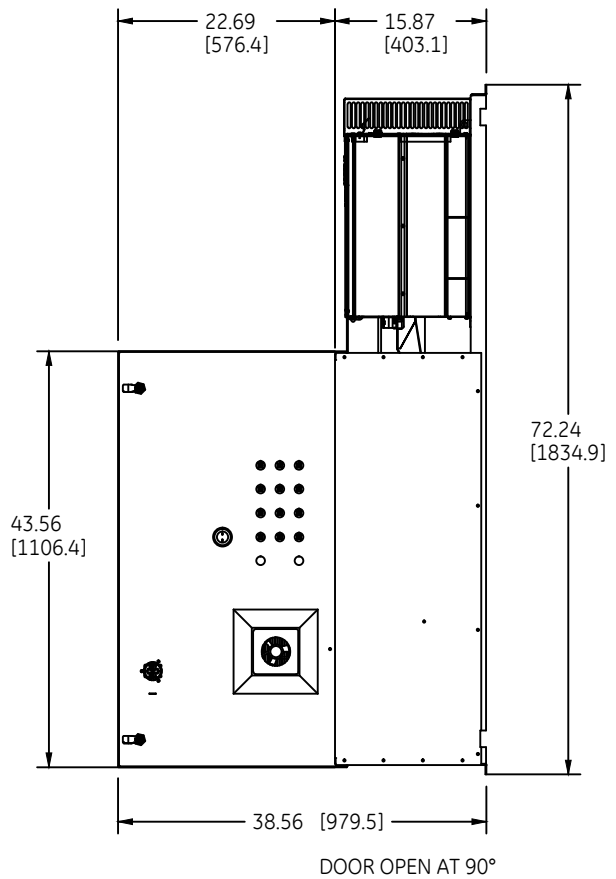
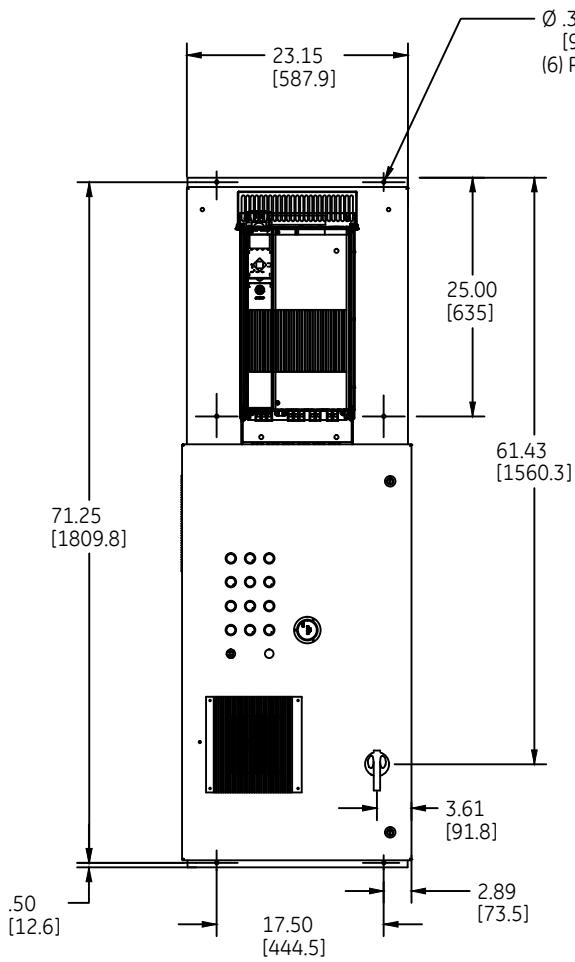


DUAL DIMENSIONS INCHES (ESTIMATING ONLY)
(MILLIMETERS)



WEIGHT : 448.40 LBS [203.40 KG]
25-30 HP@208V, 50-75HP@460V & 50-75HP@575V



OUTLINE - ENCLOSED DRIVES
AF 600 FP TYPE- 1

AN #	THIRD ANGLE PROJECTION	SHEET #
12-1025		1 OF 1

DWG NO.	DATE	REV
55-217673	07/15/09	5