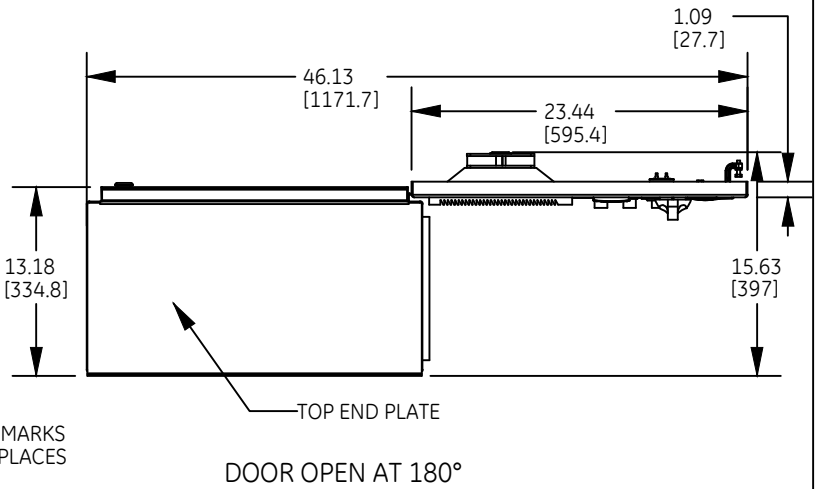
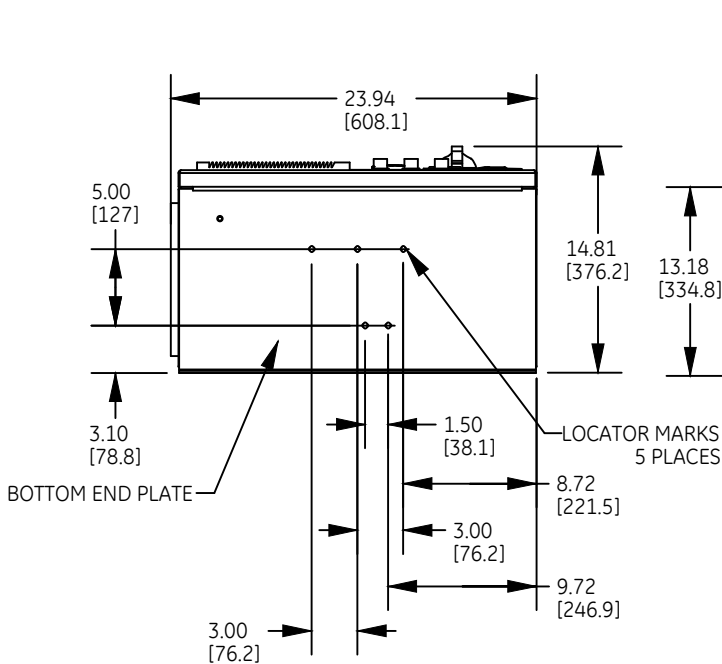
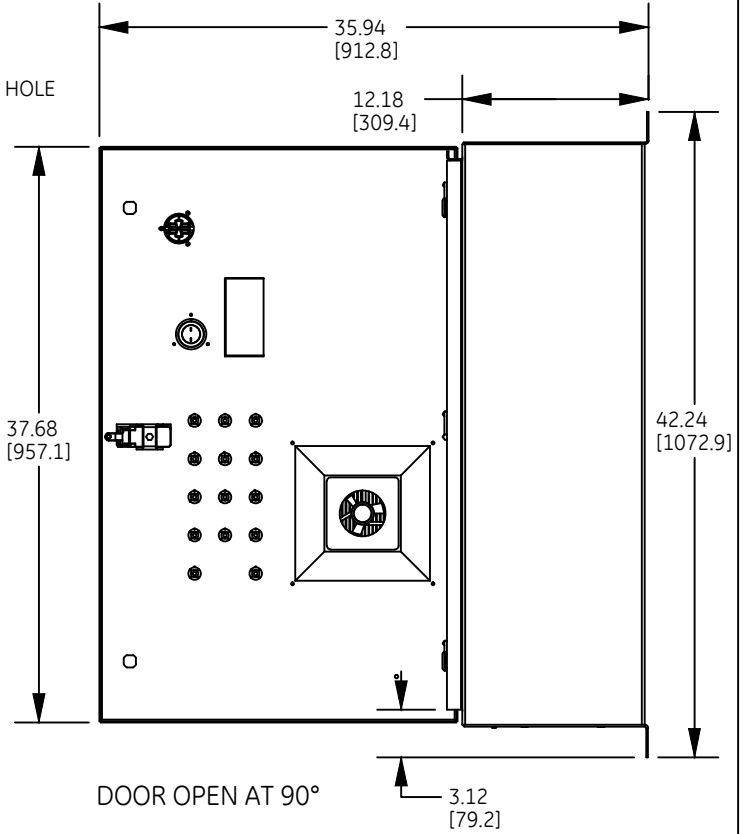
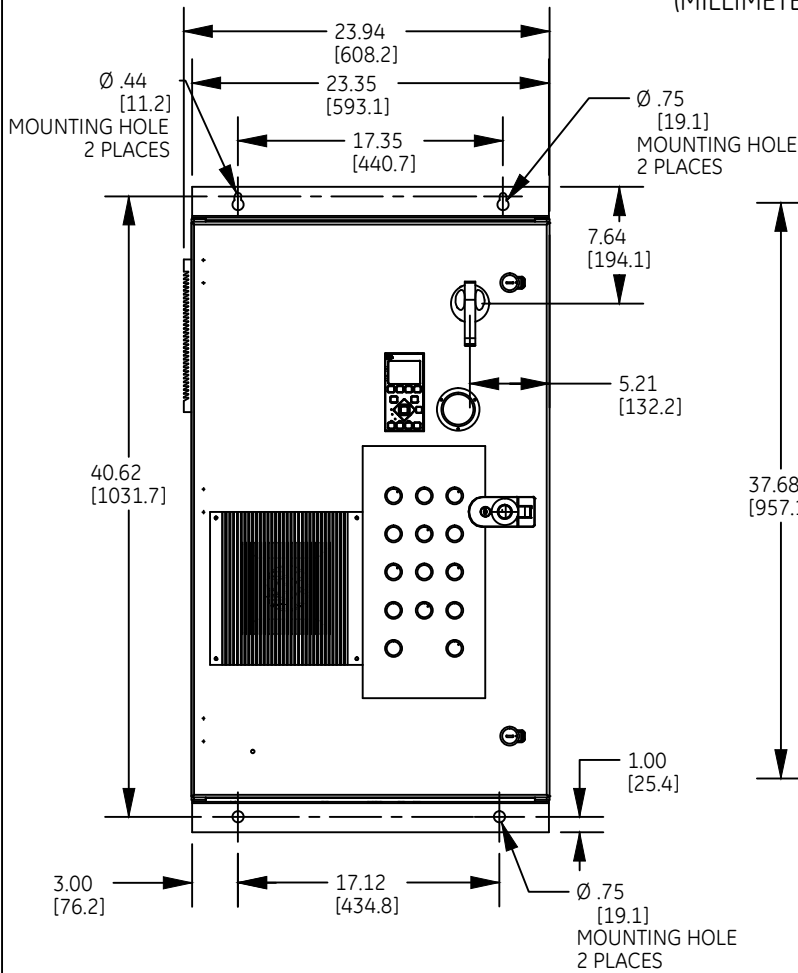


DUAL DIMENSIONS INCHES (ESTIMATING ONLY)  
(MILLIMETERS)



WEIGHT: 228.2 LBS [103.51 KG]  
2-5 HP@208V, 2-10HP@460V & 2-10HP@575V



OUTLINE - ENCLOSED DRIVE  
AF 600 FP TYPE-12

AN #	THIRD ANGLE PROJECTION	SHEET #
12-1025		1 OF 1

DWG NO.	DATE	REV
55-217706	06/11/10	5