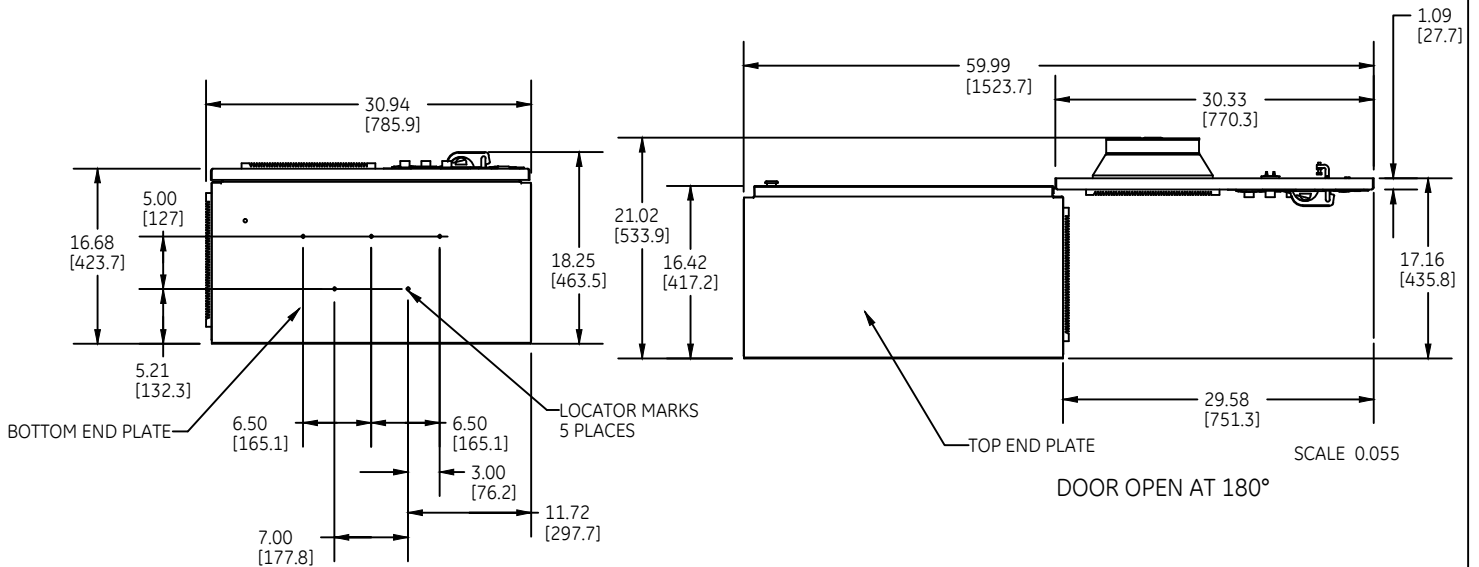
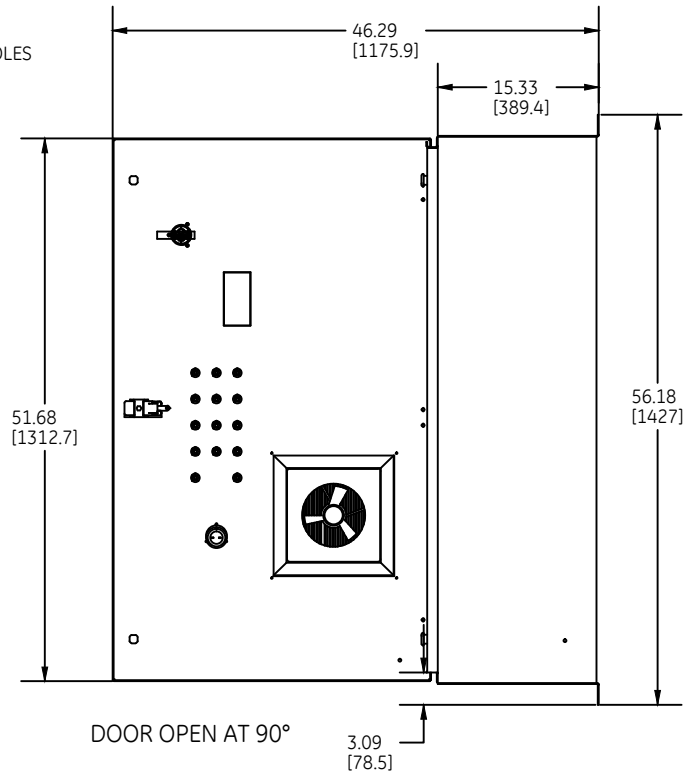
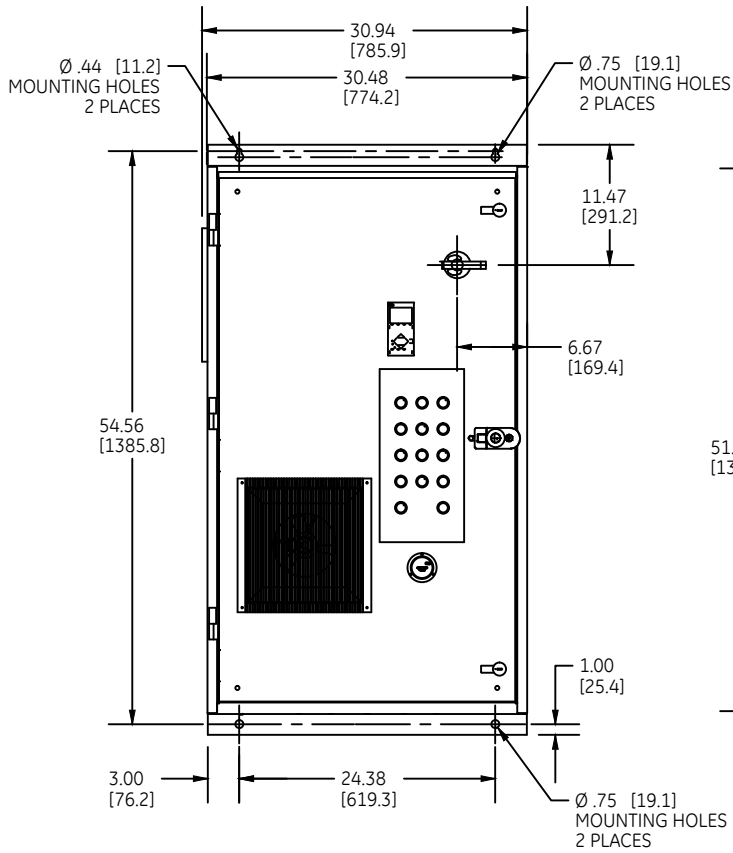


DUAL DIMENSIONS INCHES (ESTIMATING ONLY)
(MILLIMETERS)



WEIGHT: 429.40LBS [194.78 KG]
7.5-20HP@208V, 15-40HP@460V & 15-40HP@575V



OUTLINE - ENCLOSED DRIVE
AF 600 FP TYPE-12

AN #	THIRD ANGLE PROJECTION	SHEET #
12-1025		1 OF 1

DWG NO.	DATE	REV
55-217707	06/11/10	5