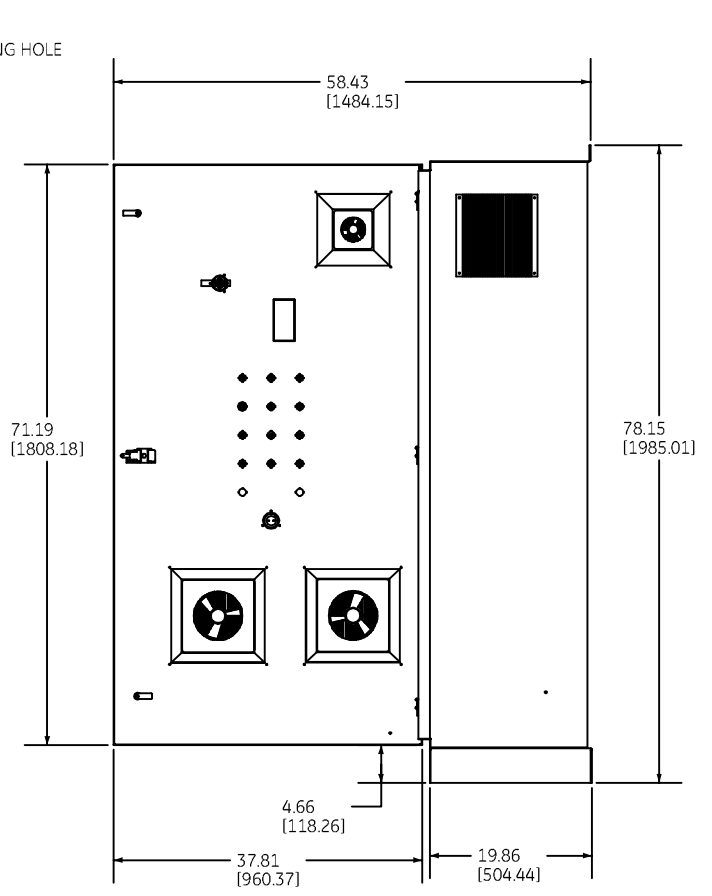
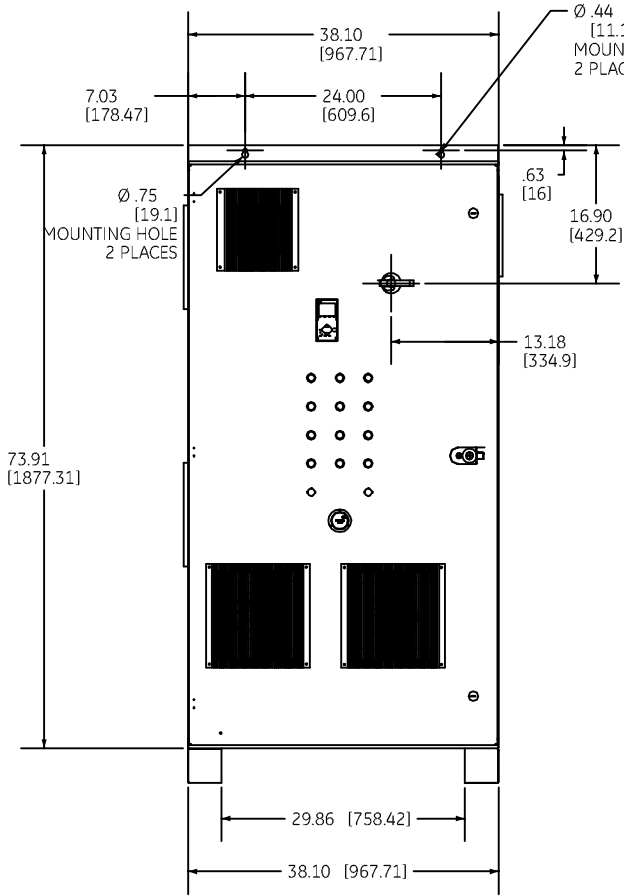
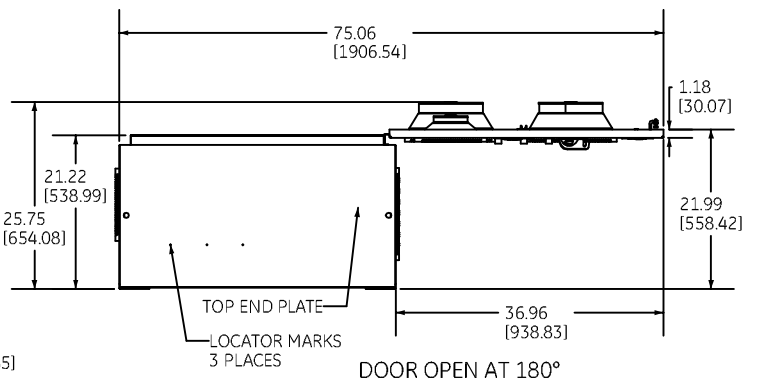
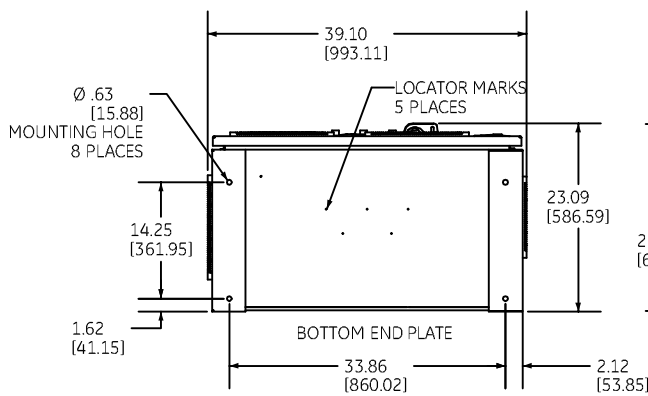


DUAL DIMENSIONS INCHES (ESTIMATING ONLY)
(MILLIMETERS)



DOOR OPEN AT 90°



DOOR OPEN AT 180°

WEIGHT: 626.30 LBS [284.09 KG]
50-60HP@208V, 100-125HP@460V & 100-125HP@575V



imagination at work

OUTLINE - ENCLOSED DRIVE
AF 600 FP TYPE-12

AN #	THIRD ANGLE PROJECTION	SHEET #
09-3038		1 OF 1

DWG NO.	DATE	REV
55-217709	07/15/09	2