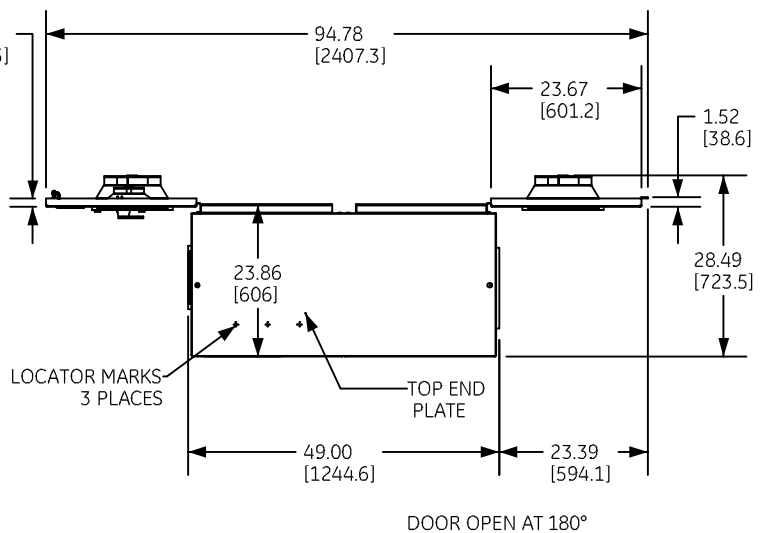
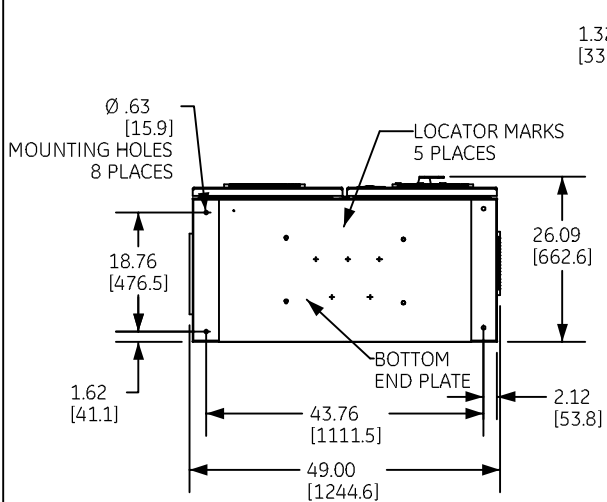
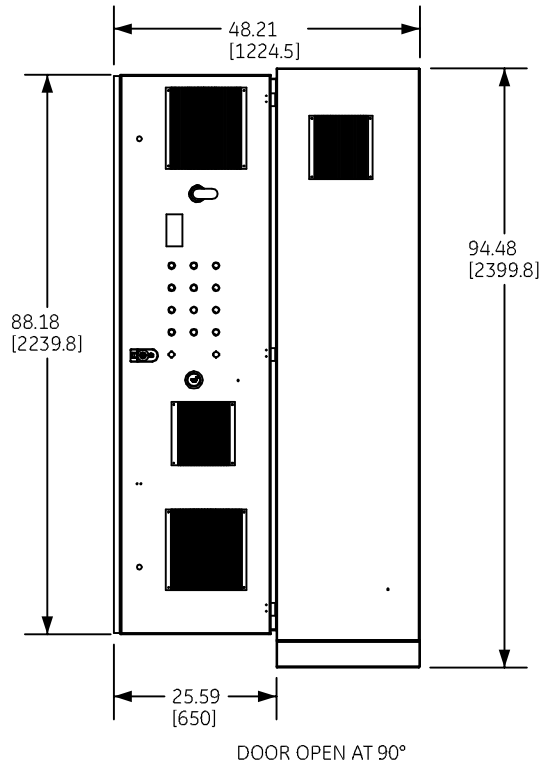
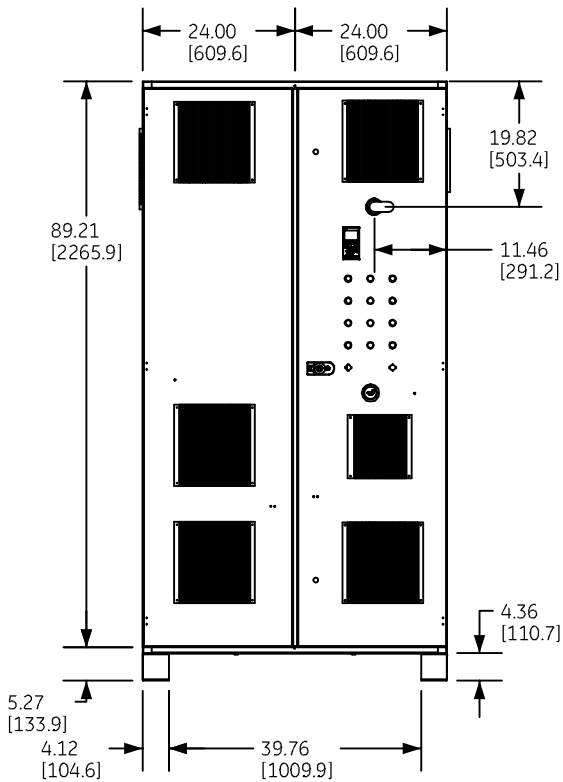


DUAL DIMENSIONS INCHES (ESTIMATING ONLY)
(MILLIMETERS)



WEIGHT: 1503.30 LBS [681.90 KG]
150-300HP@460V & 150HP@575V



imagination at work

OUTLINE - ENCLOSED DRIVE
AF 600 FP TYPE-12

AN #	THIRD ANGLE PROJECTION	SHEET #
09-3038		1 OF 1

DWG NO.	DATE	REV
55-217710	07/15/09	2