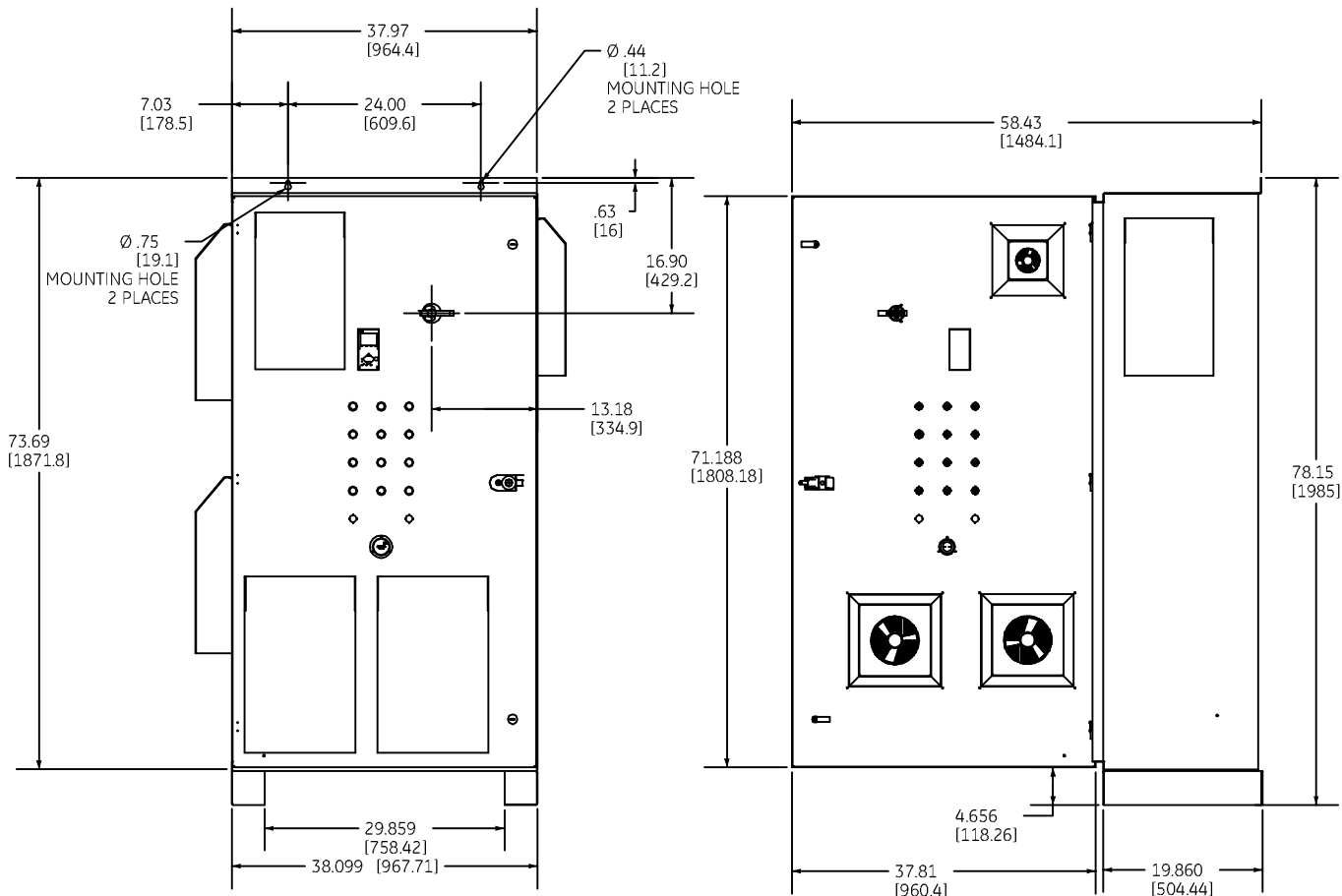
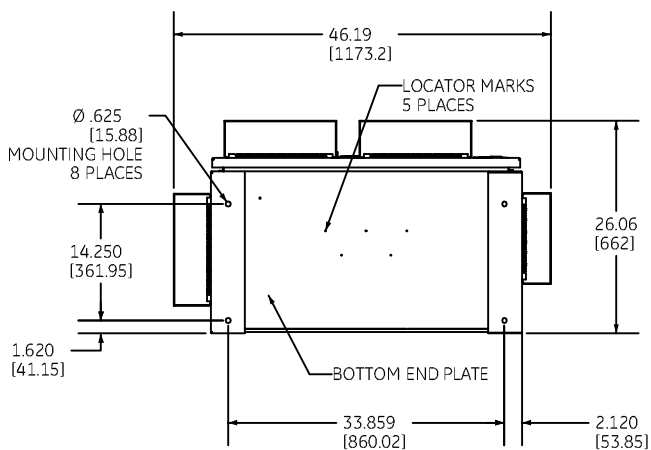


DUAL DIMENSIONS INCHES (ESTIMATING ONLY)
(MILLIMETERS)



DOOR OPEN AT 90°



WEIGHT: 768.43 LBS [348.56 KG]
50-60HP@208V, 100-125HP@460V & 100-125HP@575V



imagination at work

OUTLINE - ENCLOSED DRIVE
AF 600 FP TYPE-3R

AN #	THIRD ANGLE PROJECTION	SHEET #
09-3038		1 OF 1

DWG NO.	DATE	REV
55-217752	07/15/09	2