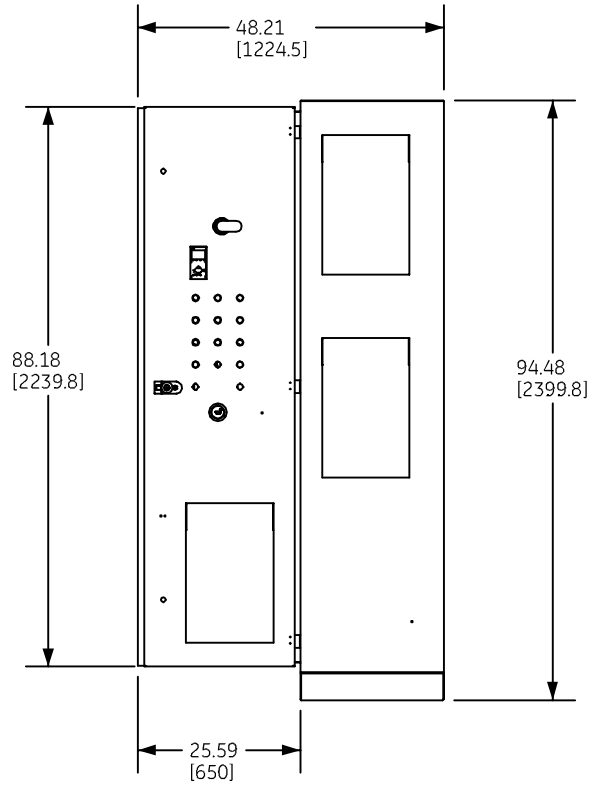
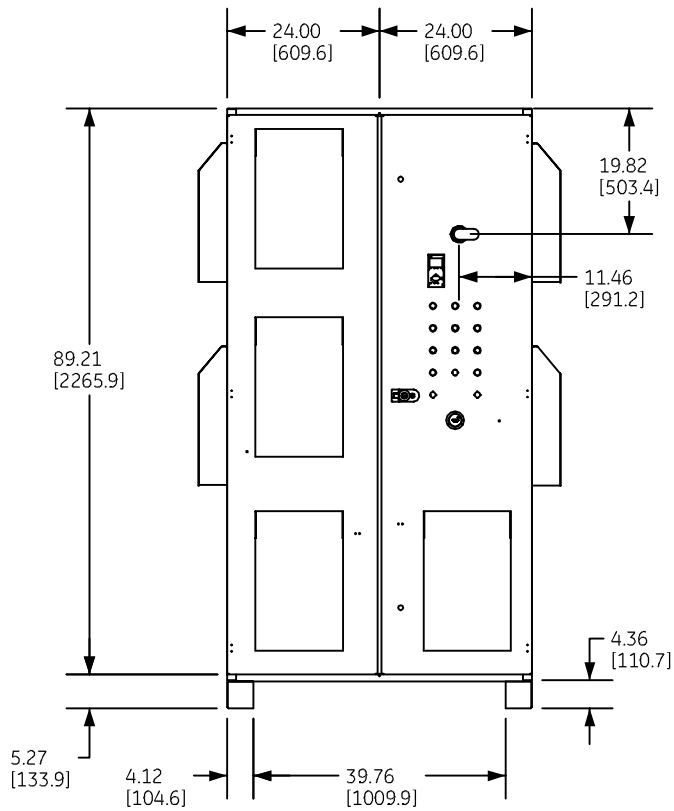
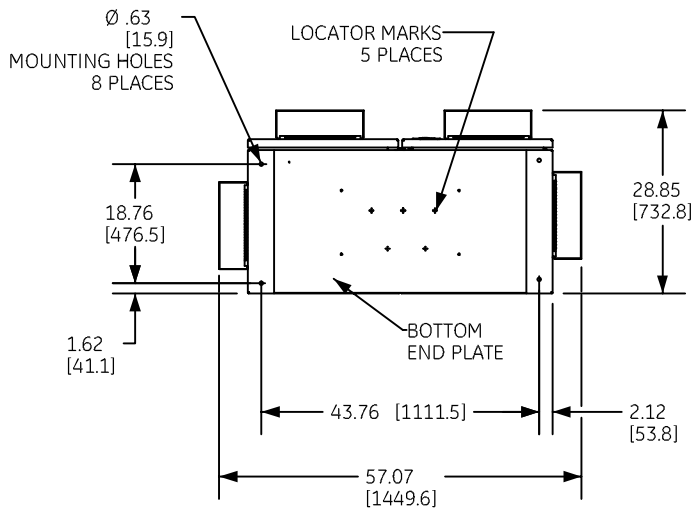


DUAL DIMENSIONS INCHES (ESTIMATING ONLY)
(MILLIMETERS)



DOOR OPEN AT 90°



WEIGHT: 1227.17 LBS [556.64 KG]
150HP@460V & 150HP@575V



imagination at work

OUTLINE - ENCLOSED DRIVE
AF 600 FP TYPE-3R

AN #	THIRD ANGLE PROJECTION	SHEET #
09-3038		1 OF 1

DWG NO.	DATE	REV
55-217753	07/15/09	2