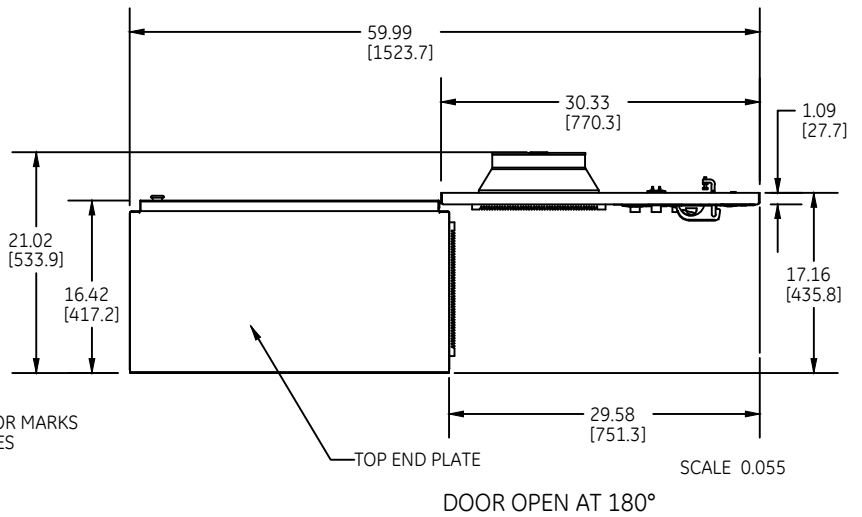
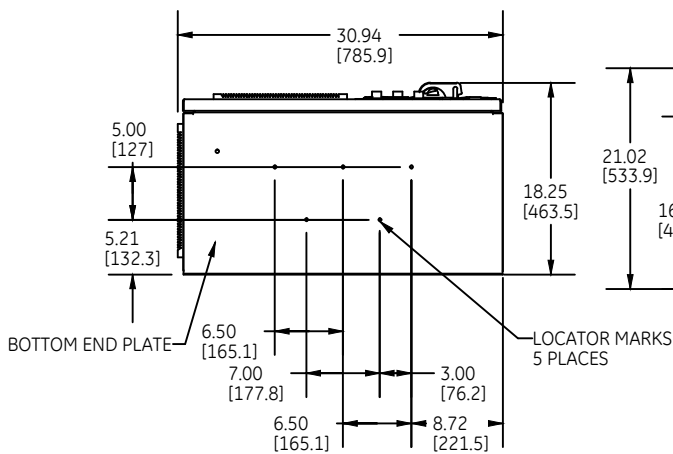
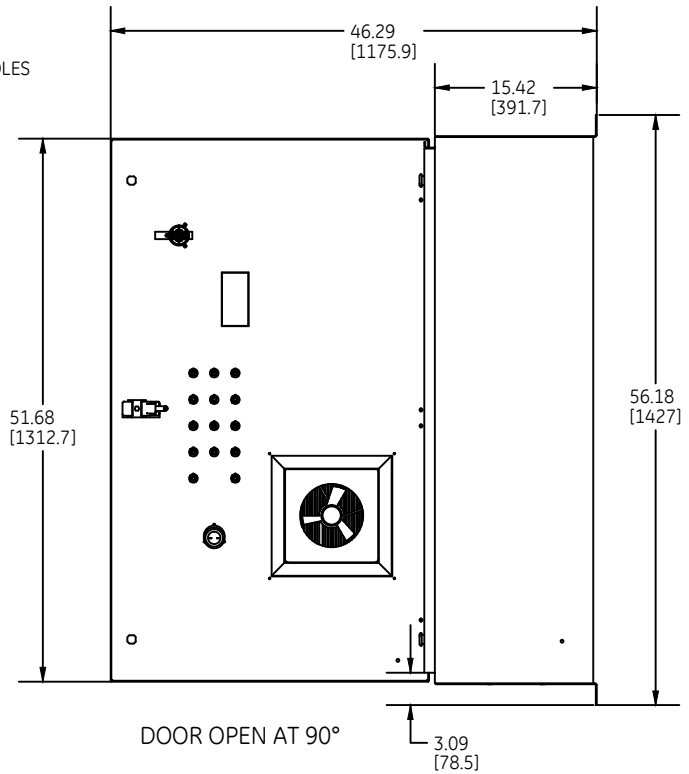
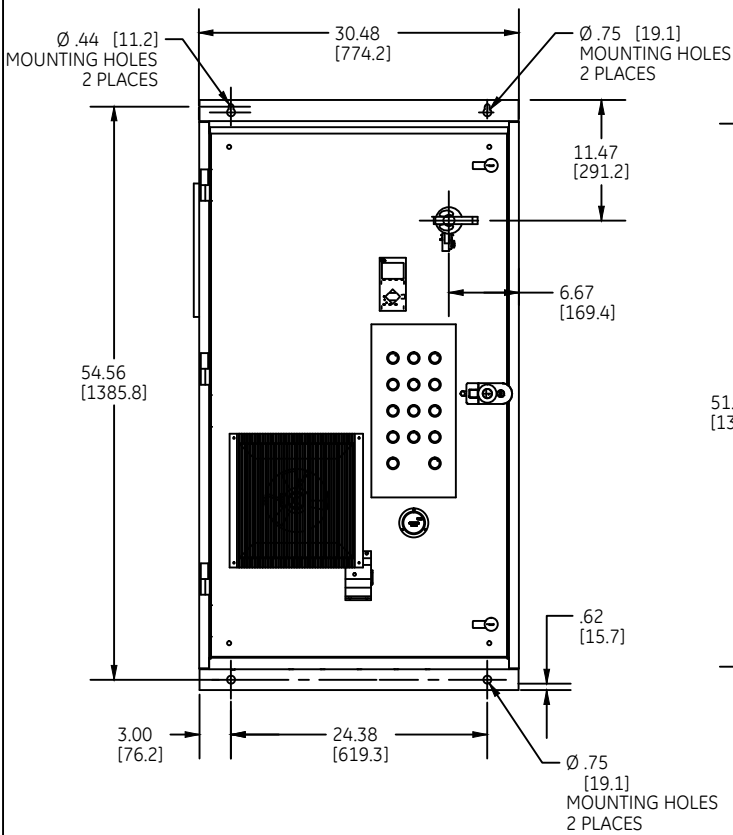


DUAL DIMENSIONS INCHES (MILLIMETERS) (ESTIMATING ONLY)



WEIGHT: 434LBS [197 KG]
7.5-20HP@208V, 15-40HP@460V & 15-40HP@575V



OUTLINE - ENCLOSED DRIVE
AF 650 GP TYPE-12

AN #	THIRD ANGLE PROJECTION	SHEET #
12-1025		1 OF 1

DWG NO.	DATE	REV
55-217767	06/11/10	6