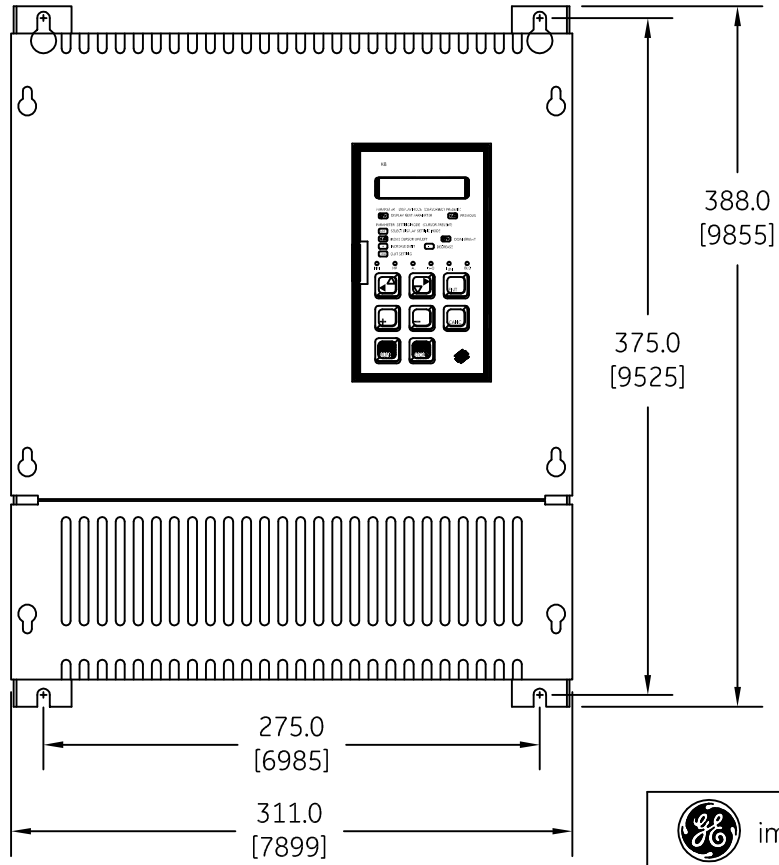
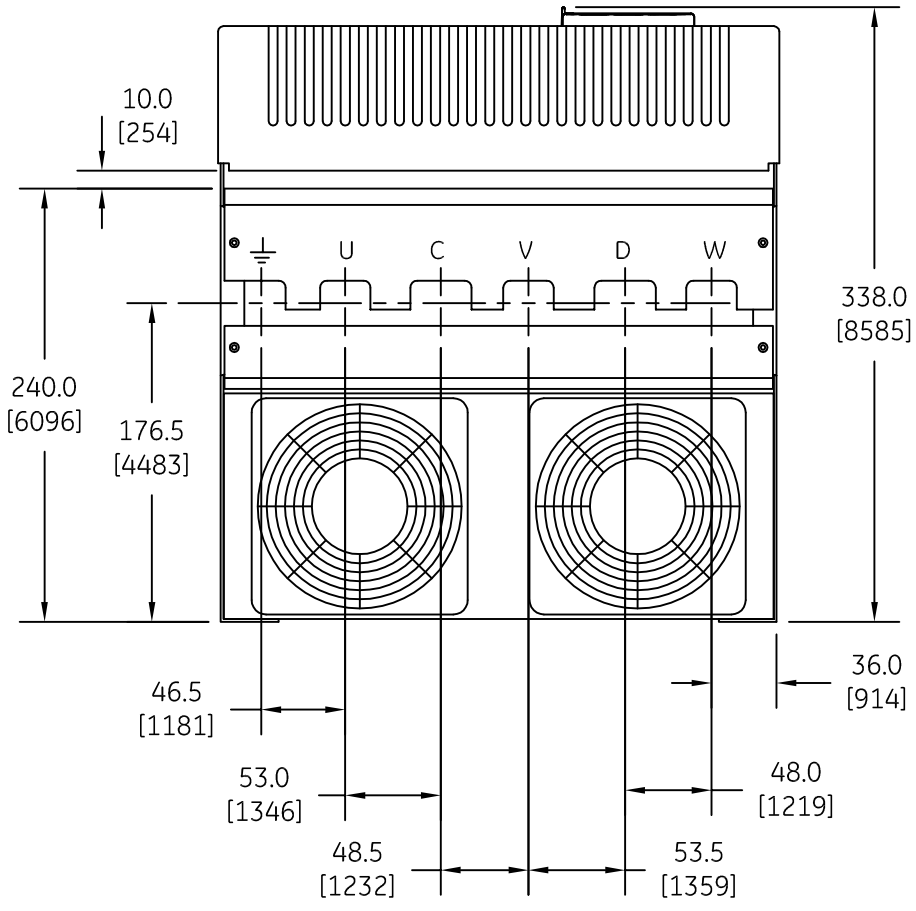


DUAL DIMENSIONS INCHES (ESTIMATING ONLY)
[MILLIMETERS]



CATALOG NUMBERS

- | | |
|------------|------------|
| 6KDV3280Q2 | 6KDV3280Q4 |
| 6KDV3224Q2 | 6KDV3224Q4 |
| 6KDV3350Q2 | 6KDV3350Q4 |
| 6KDV3280Q2 | 6KDV3280Q4 |
| 6KDV3420Q2 | 6KDV3420Q4 |
| 6KDV3336Q2 | 6KDV3336Q4 |
| 6KDV3500Q2 | 6KDV3500Q4 |
| 6KDV3400Q2 | 6KDV3400Q4 |



OUTLINE
DV300 DC DRIVE

AN #	THIRD ANGLE PROJECTION	SHEET #
09-9117		1 OF 1

DWG NO.	DATE	REV
55-217794	09/23/2009	1