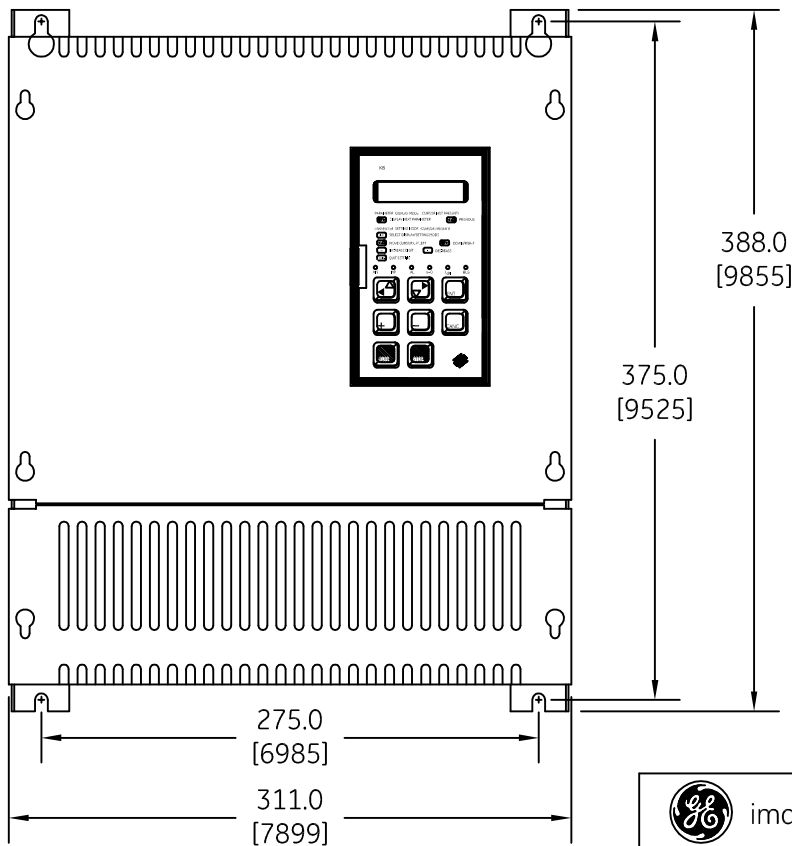
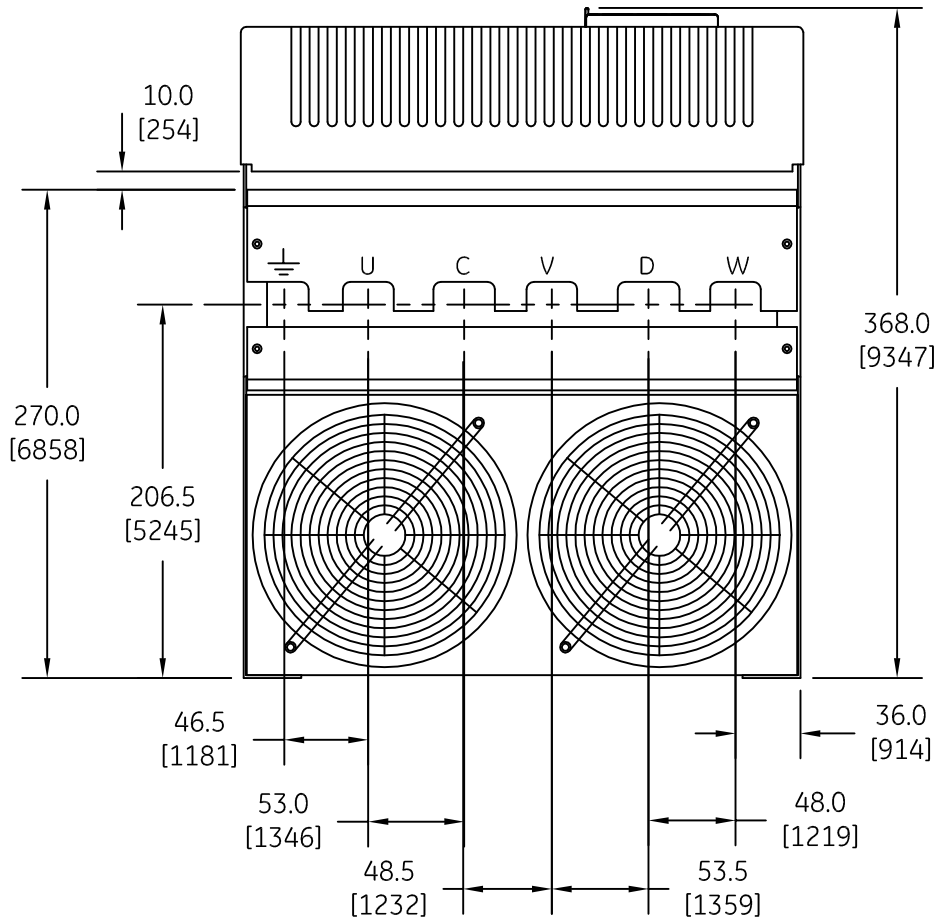


DUAL DIMENSIONS INCHES (ESTIMATING ONLY)
[MILLIMETERS]



CATALOG NUMBERS

6KDV3450Q2 6KDV3450Q4
6KDV3650Q2 6KDV3650Q4



OUTLINE
DV300 DC DRIVE

AN #	THIRD ANGLE PROJECTION	SHEET #
09-9117		1 OF 1

DWG NO.	DATE	REV
55-217795	09/23/2009	1