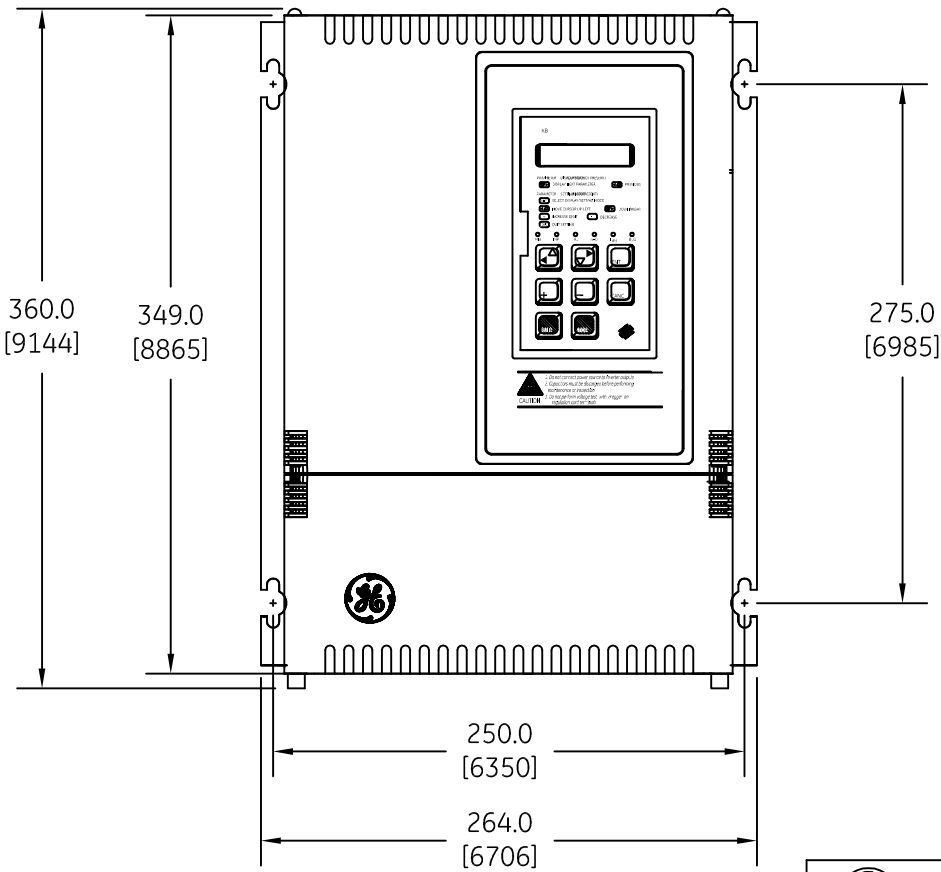
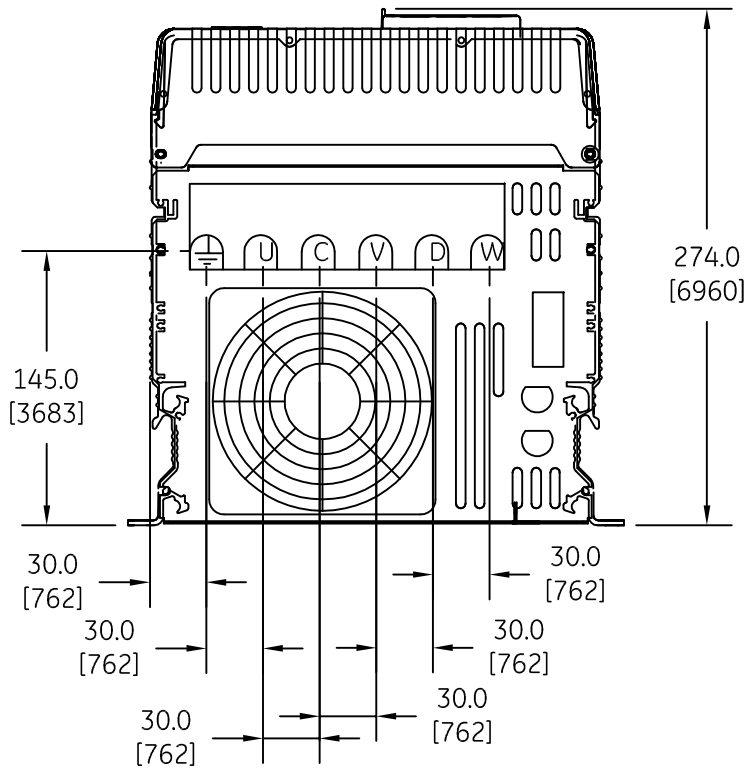


DUAL DIMENSIONS INCHES (ESTIMATING ONLY)
[MILLIMETERS]



CATALOG NUMBERS

- | | |
|------------|------------|
| 6KDV3110Q2 | 6KDV3110Q4 |
| 6KDV3088Q2 | 6KDV3088Q4 |
| 6KDV3140Q2 | 6KDV3140Q4 |
| 6KDV3112Q2 | 6KDV3112Q4 |
| 6KDV3185Q2 | 6KDV3185Q4 |
| 6KDV3148Q2 | 6KDV3148Q4 |



imagination at work

OUTLINE
DV300 DC DRIVE

AN #	THIRD ANGLE PROJECTION	SHEET #
09-9117		1 OF 1

DWG NO.	DATE	REV
55-217798	09/23/2009	1