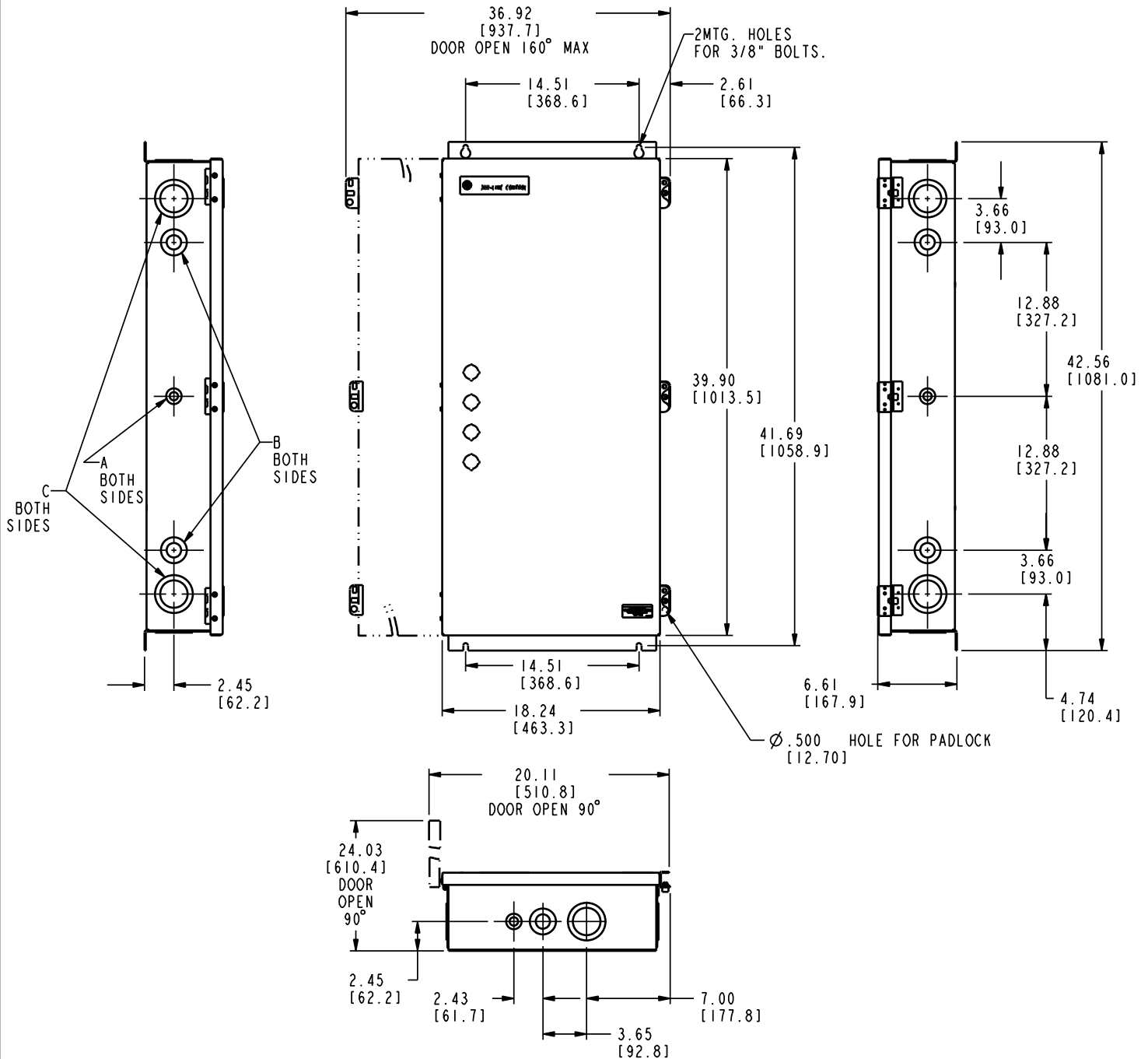
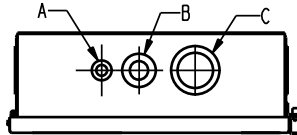


DUAL DIMENSIONS INCHES (MILLIMETERS) (ESTIMATING ONLY)

K.O.'s SAME TOP & BOTTOM



- A COMBINATION KNOCKOUT FOR 1/2 OR 3/4-INCH CONDUIT
- B COMBINATION KNOCKOUT FOR 1 OR 1 1/2-INCH CONDUIT
- C COMBINATION KNOCKOUT FOR 2 OR 3 INCH CONDUIT



**BOX & COVER ASSEMBLY**

AN #	THIRD ANGLE PROJECTION	SHEET #
10-9104		1 OF 1

DWG NO.	DATE	REV
55-217831	05/25/10	1