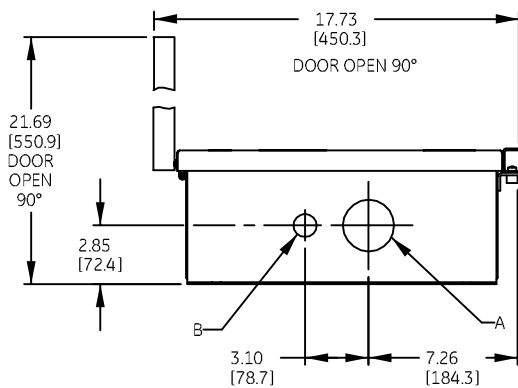
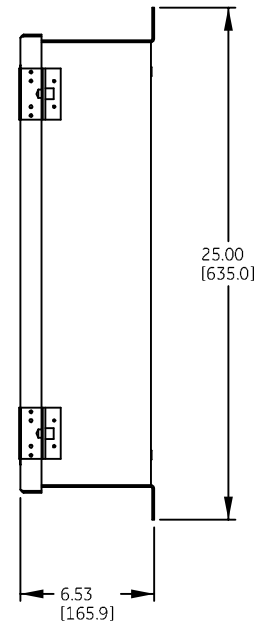
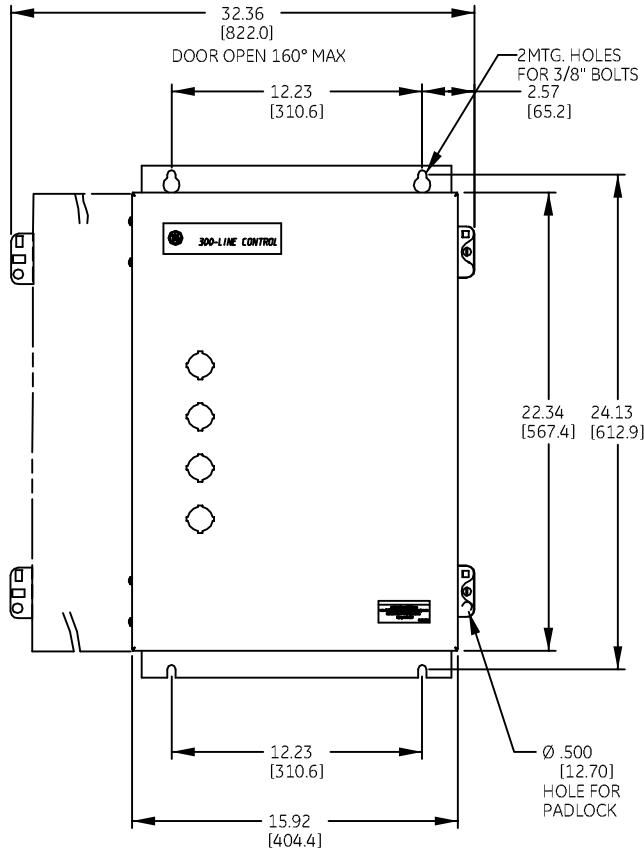
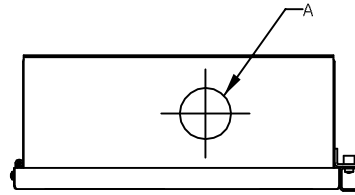


DUAL DIMENSIONS INCHES (ESTIMATING ONLY)
[MILLIMETERS]



- (A) HOLE FOR CONDUIT HUB [2.0] NPT [50.8]
- (B) HOLE FOR CONDUIT HUB [0.75] NPT [19.05]

WEIGHT : 62 lbs (APPROXIMATE)
30, 60, 75 & 100 AMP RATINGS

AN #	THIRD ANGLE PROJECTION	SHEET #
10-9104		1 OF 1

imagination at work

OUTLINE - CR160MC
LIGHTING CONTACTOR TYPE 4/4X ENCLOSED

DWG NO.	DATE	REV
55-217834	06/15/10	1